

Item description/product images



Description

Material:

Housing, actuation, tongue and fastening nut PA.

Version:

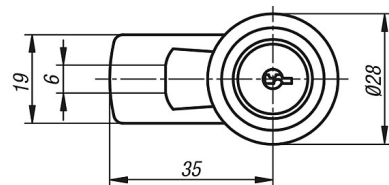
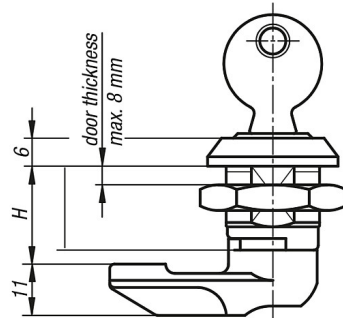
black.

Note:

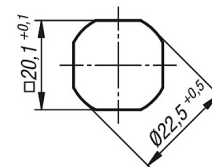
Insulated quarter turn lock with cylinder lock. The quarter turn lock can be installed pre-assembled. Simultaneous locking, incl. 2 keys.

For right or left use, vibration-proof.

Drawings



Mounting cutout



Overview of items

Order No.	H	Actuation
100-49-1	18	cylinder lock
100-49-2	20	cylinder lock
100-49-3	22	cylinder lock
100-49-4	25	cylinder lock
100-49-5	28	cylinder lock