

Item description/product images

**Description****Material:**

Socket tool steel.
Insert special PETP.

Version:

Socket chromium-plated.

Note:**Socket:**

Socket with 1/2" drive, made by Hazat. Specially modified, for holding the plastic inserts. The plastic inserts are securely held by the inner form and length of the socket. Optimal drive torque is transmitted to the screw head. By careful use, metallic contact between the socket and the hex head is prevented. Contact corrosion is eliminated.

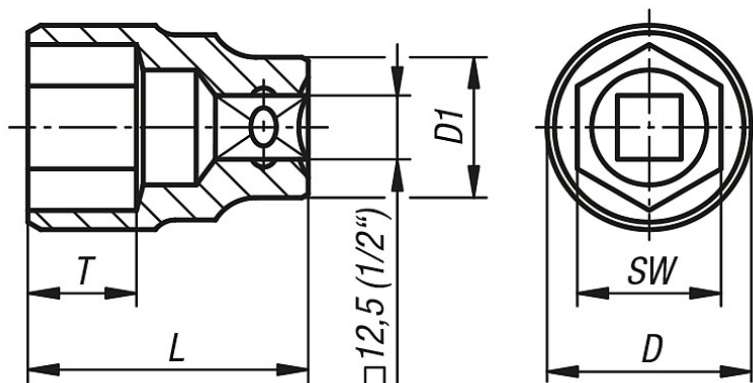
Plastic inserts:

Plastic inserts for tightening and loosening screws and nuts, specially designed for hygienic and other stainless steel fasteners. Polished and sensitive surfaces are protected and a later contact corrosion is avoided. The plastic inserts are made from a specially manufactured PETP and have FDA approval. The inserts are pressed into the special socket manually. The form fit and locking device ensures an optimal hold in the socket. No special tools are required to exchange the worn out inserts.

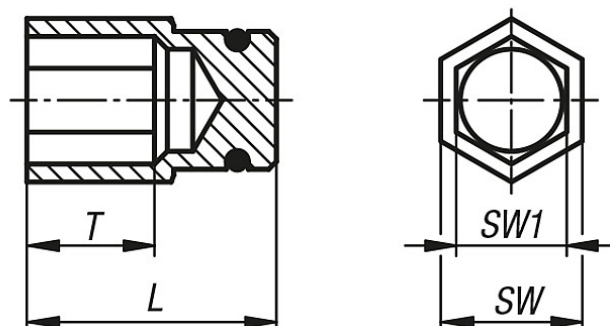
By a tightening torque acc. to DIN for A4-70 screws and nuts, coefficient of friction μ 0.12 (see application information at back of catalogue), the plastic inserts have a life expectancy of up to 1000 alternating cycles.

Drawings

Socket



Plastic insert



Overview of items

Order No.	Article description	D	D1	L	T	SW
300-101-2	Socket 1/2" SW11 modified for plastic insert 300-101-102	16,6	22	37,3	10,1	11
300-101-3	Socket 1/2" SW13 modified for plastic insert 300-101-103	19,1	22	37,3	10,6	13
300-101-4	Socket 1/2" SW16 modified for plastic insert 300-101-104	22,9	23,6	37,1	11,3	16
300-101-5	Socket 1/2" SW19 modified for plastic insert 300-101-105	26,6	23	37	13,2	19
300-101-6	Socket 1/2" SW21 modified for plastic insert 300-101-106	29	25	36,8	12,9	21
300-101-7	Socket 1/2" SW27 modified for plastic insert 300-101-107	35,2	25	44,4	18,1	27

Order No.	Article description	L	T	SW	SW1	Suitable for hexagon screws
300-101-102	Plastic insert for socket SW11 reduced to SW8 for M5	18	6	11	8	M5
300-101-103	Plastic insert for socket SW13 reduced to SW10 for M6	19,5	10	13	10	M6
300-101-104	Plastic insert for socket SW16 reduced to SW13 for M8	21,5	11	16	13	M8
300-101-105	Plastic insert for socket SW19 reduced to SW16 for M10	22	13,5	19	16	M10
300-101-106	Plastic insert for socket SW21 reduced to SW18 for M12	21,5	12	21	18	M12
300-101-107	Plastic insert for socket SW27 reduced to SW24 for M16	26,5	18	27	24	M16

Overview of items
