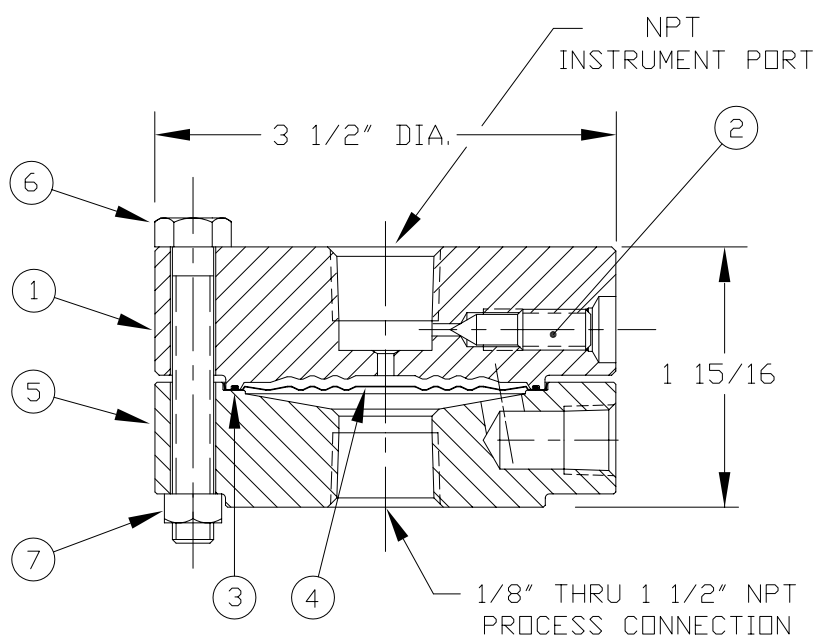


SOLD TO : ULTIMATE CUSTOMER : (IF AVAILABLE)		P.O. # : P.O. # :
AMETEK NO. :	DRW. TO :	CUST. SPEC. NO. :
ORDER ITEM NO. :	QUANTITY :	FILL FLUID :



DESCRIPTION	QTY.
① TOP	1
② FILLING SCREW	1
③ O-RING	1
④ DIAPHRAGM	1
⑤ BOTTOM	1
⑥ SCREW 5/16-18 HEX. HEAD (OPTIONAL 15 SCREWS FOR EXTRA BOLTING)	8
⑦ NUT, ST. STL.	8

CLASS 2500 @ 100°F  
 OPTIONAL 3000 PSI @ 100°F  
TYPE RG

### INSTRUMENT DESCRIPTION

- INSTALLATION : - CONNECT ASSEMBLED SEAL TO STANDARD MALE NPT PIPE  
 THREAD USING A STRAP WRENCH.
- OPERATION : - WHEN CLEANING IS REQUIRED, REMOVE AND CLEAN AS UNIT.
- CAUTION : - DO NOT LOOSEN INSTRUMENT OR FILLING SCREW PART #2 OR  
 SEAL SCREW PART #6, AS LOSS OF LIQUID FILL WILL RESULT  
 AND RECALIBRATION WILL BE NECESSARY.

DRAWING CERTIFIED CORRECT,  
 DATE :

\_\_\_\_\_  
 AMETEK