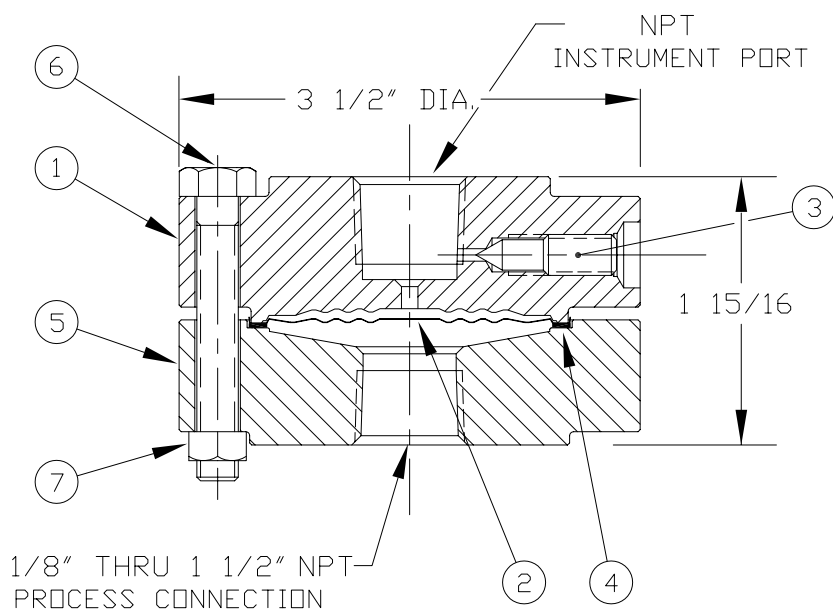


SOLD TO : ULTIMATE CUSTOMER : (IF AVAILABLE)		P.O. # : P.O. # :
AMETEK NO. :	DRW. TO :	CUST. SPEC. NO. :
ORDER ITEM NO. :	QUANTITY :	FILL FLUID :



DESCRIPTION	QTY.
① TOP	1
② DIAPHRAGM	1
③ FILLING SCREW	1
④ GASKET	1
⑤ BOTTOM	1
⑥ SCREW, 5/16-18 HEX. HD. CAP SCR.	8
⑦ NUT, STAINLESS STEEL	8

TYPE SB

OPERATING PRESSURE:
2500 P.S.I. @ 100° F

INSTRUMENT DESCRIPTION

- INSTALLATION : - CONNECT ASSEMBLED SEAL TO STANDARD MALE NPT PIPE THREAD USING A STRAP WRENCH.
- OPERATION : - WHEN CLEANING IS REQUIRED REMOVE SCREWS PART #6, CALIBRATED UNIT PART #'S 1,2,3 AND GASKET PART #4.
- CLEAN AND REINSTALL - USING NEW GASKET.
- CAUTION : - DO NOT LOOSEN INSTRUMENT OR FILLING SCREW PART #3, AS LOSS OF LIQUID FILL WILL RESULT AND RECALIBRATION WILL BE NECESSARY.

DRAWING CERTIFIED CORRECT,
DATE :

AMETEK

	AMETEK		TEST AND CALIBRATION INSTRUMENTS DIVISION	LARGO, FL

CODE IDENT. NO. 92456	REVISION A	DATE 05/19/98					AMETEK DIAPHRAGM SEAL TYPE SB DATA AND INSTRUCTION SHEET DRAWING NO. : SK-5201
--------------------------	---------------	------------------	--	--	--	--	--