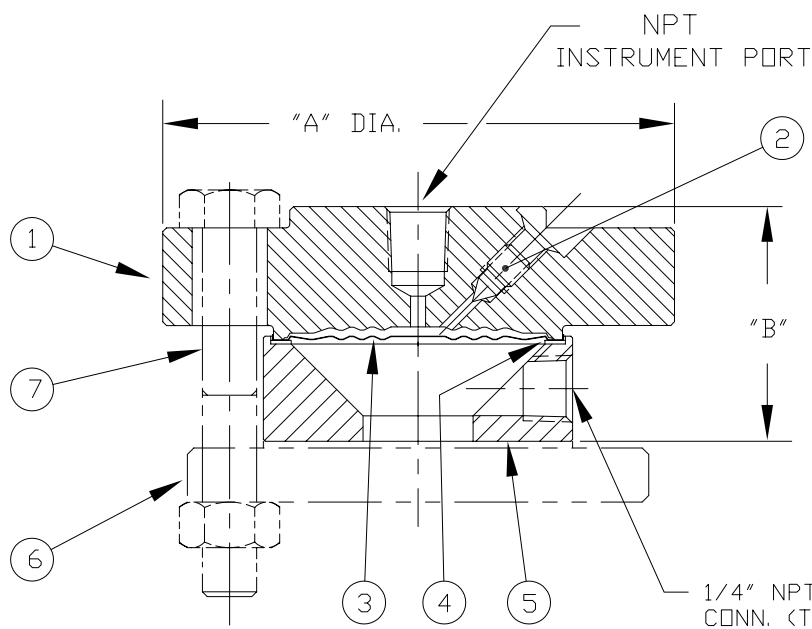


SOLD TO : ULTIMATE CUSTOMER : (IF AVAILABLE)		P.O. # : P.O. # :
AMETEK NO. :	DRW. TO :	CUST. SPEC. NO. :
ORDER ITEM NO. :	QUANTITY :	FILL FLUID :



DESCRIPTION	QTY.
① TOP	1
② FILLING SCREW	1
③ DIAPHRAGM	1
④ GASKET	1
⑤ BOTTOM	1
⑥ FLANGE (BY USER)	1
⑦ BOLTS (SUPPLIED BY CUSTOMER)	4

1/2" CLASS 2500
3/4"- 8" CLASS 150, 300, 600, 1500, 2500
TYPE SC, 8" CLASS 300 ONLY

TYPE SC & SD RAISED FACE

"METAL EXPOSED SURFACE"
SEE SK-5246 FOR DIMENSIONS
2500 PSI @ 100°F

INSTRUMENT DESCRIPTION

- INSTALLATION : - INSTALL CALIBRATED UNIT PART #'S 1, 2, & 3, GASKET PART #4 AND BOTTOM PART #5, SECURE WITH BOLTS PART #7
- OPERATION : - WHEN CLEANING IS REQUIRED REMOVE BOLTS PART #7, CALIBRATED UNIT, GASKET #4 AND BOTTOM PART #5.
- CLEAN AND REINSTALL USING A NEW GASKET.
- CAUTION : - DO NOT LOOSEN INSTRUMENT FILLING SCREW PART #2, AS LOSS OF LIQUID FILL WILL RESULT AND RECALIBRATION WILL BE NECESSARY.

DRAWING CERTIFIED CORRECT,
DATE :

AMETEK

	AMETEK				TEST AND CALIBRATION INSTRUMENTS DIVISION		LARGO, FL.
	CODE IDENT. NO. 92456	REVISION DATE	A 06/17/94	B 05/25/95	C 05/19/98	AMETEK DIAPHRAGM SEAL TYPE SC & SD DATA AND INSTRUCTION SHEET DRAWING NO. : SK-5203-1	

CODE IDENT. NO. 92456	REVISION DATE	A 06/17/94	B 05/25/95	C 05/19/98				AMETEK DIAPHRAGM SEAL TYPE SC & SD DATA AND INSTRUCTION SHEET DRAWING NO. : SK-5203-1
--------------------------	------------------	---------------	---------------	---------------	--	--	--	---