

Width only 600 mm

Precise control with electric steering and JetPilot

Also safe cornering with Curve Control

“SpeedControl”, our smooth electronic control system

Semi-automatic remote coupling release directly from the operator platform (optional)



EZS 130

Electric tow tractor (3,000 kg)

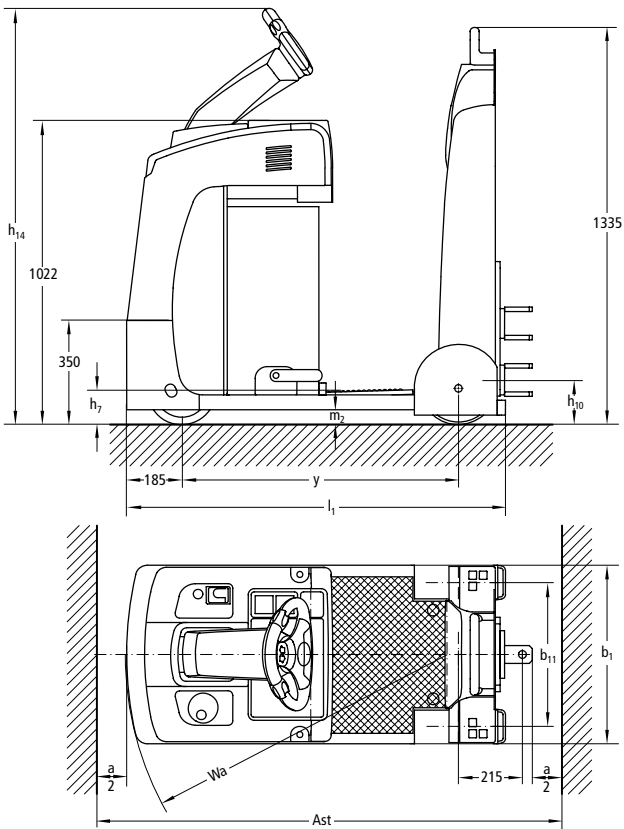
The EZS 130 is a particularly compact tow tractor for pulling trailers up to 3000 kg. A narrow width of just 600 mm makes the EZS the ideal truck for particularly narrow and confined spaces. Attaching several trailers allows the loading areas to be varied. This contributes towards a flexible and economical product throughput. The coupling is visible from any position and easily accessible. The semi-automatic remote coupling release (optional) allows the coupling/releasing of trailers without the operator having to leave the platform. This saves time and costs. A further advantage: The truck is available with several different couplings and can thus be adapted to any type of trailer.

The 24-volt drive motor with its 3-phase AC technology ensures a high performance. The advantages: Powerful ac-

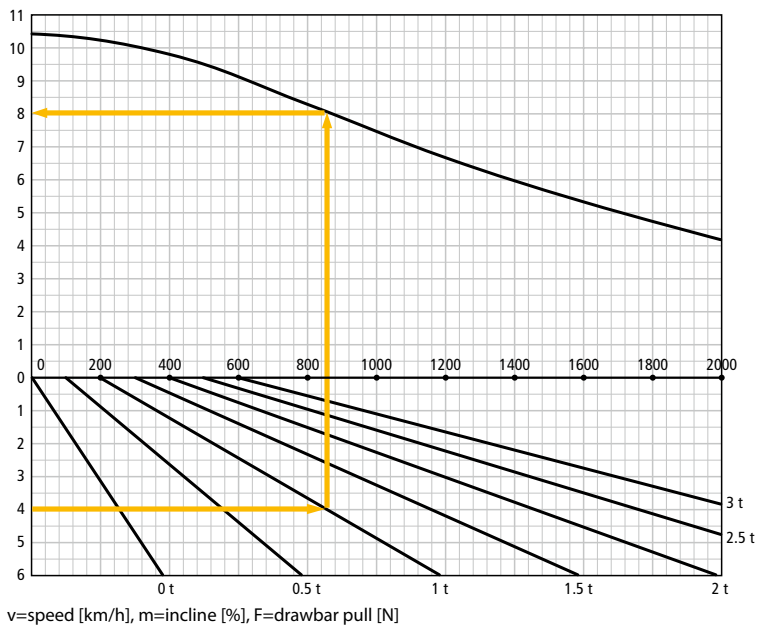
celeration and high maximum speed. Combined with significant energy savings, extended operating times and minimised maintenance costs (due to omission of carbon brushes). This is due to the optimisation between drive motor and the electronic control, as well as the regenerative braking.

The main ergonomic advantages are the low stand-on platform for frequent mounting and dismounting and the short distance from operator position to load. The EZS also operates effortlessly in confined spaces. Its turning radius is so small that the operator will feel that they are turning on the spot. The JetPilot steering wheel, supportive backrest and automatic Curve Control speed reduction as well as the load wheels with CSE tyres provide comfort and safety, especially in corners.

EZS 130



Pulling ability



Example:

The EZS 130 is able to run with a 1 tonne load up a gradient of 4%. This requires 850N tractive effort and can reach approx. 8km/h

Note:

The EZS 130 is not suitable for continuous operations over 600N.

For gradients greater than 4% it is recommended braked trailers are used!

Technical data in line with VDI 2198

Identification	1.1	Manufacturer (short form)		Jungheinrich
	1.2	Model		EZS 130
	1.3	Drive		Electrics
	1.4	Manual, pedestrian, stand-on, seated, order picker operation		stand-on
	1.5	Load capacity/rated load	Q t	3
	1.7	Rated tractive power	F N	600
Weights	1.9	Wheelbase	y mm	930
	2.1.1	Net weight incl. battery (see row 6.5)	kg	560
	2.3	Axle load, w.o. load, front / rear	kg	330 / 230
Wheels / chassis	3.1	Tyres		Vulkollan, Superelastik
	3.2	Tyre size, at front	mm	Ø 230 x 78
	3.3	Tyre size, at rear	mm	Ø 250 x 80
	3.5	Wheels, number front/rear (x = driven wheels)		1x/2
	3.7	Track width, rear	b ₁₁ mm	485
Basic dimensions	4.8.1	Standing height	h ₇ mm	115
	4.9	Height of tiller in drive position min. / max.	h ₁₄ mm	1400 ¹⁾
	4.12	Coupling height	h ₁₀ mm	158 ²⁾
	4.19	Overall length	l ₁ mm	1275 ⁵⁾
	4.21	Total width	b ₁ /b ₂ mm	600
	4.32	Floor clearance centre wheelbase	m ₂ mm	50
Performance data	4.35	Turning radius	W _a mm	1080
	5.1	Travel speed, w. / w.o. load	km/h	9 / 10.5 ⁴⁾
	5.5	Drawbar pull w. / w.o. load	N	600 ³⁾
	5.6	Max. drawbar pull, laden/unladen	N	2000 ⁴⁾
Electrics	5.10	Service brake		electro-magnetic
	6.1	Drive motor rating S2 60 min.	kW	2.8
	6.4	Battery voltage/nominal capacity K5	V/Ah	24 / 250
	6.5	Battery weight	kg	220
Misc.	6.6	Energy consumption according to VDI cycle	kWh/h	0.41
	8.1	Type of drive control		AC SpeedControl
	8.4	Sound pressure level at operator's ear according to EN 12053	dB (A)	65

¹⁾ JetPilot height

²⁾ Other coupling heights available

³⁾ Rated tractive power

⁴⁾ See diagram

⁵⁾ Total length without coupling, as different coupling systems are available

Benefit from the advantages



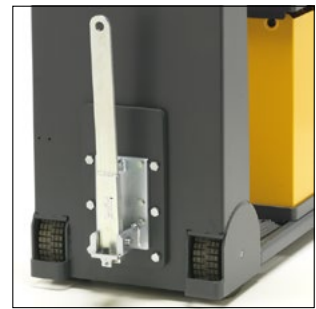
JetPilot steering wheel / operating functions



Operator compartment



Integrated charger (optional)



Different couplings available (optional)

Innovative 3-phase AC technology

Jungheinrich 3-phase AC motors offer you higher performance while simultaneously reducing operating costs. Make the most of these advantages:

- High level of efficiency with excellent energy management.
- Powerful acceleration.
- Rapid in direction of travel
- No carbon brushes – maintenance-free drive motor.
- Two-year warranty on the drive motor

Very narrow design

With its narrow width of only 600 mm, the EZS is ideally suitable for narrow aisles and confined spaces.

Comfortable and safe operation

The SpeedControl impulse control and Curve Control automatic speed reduction when cornering provide smooth, safe travel adjustable for every application:

- The speed set by the drive switch is maintained under all travel conditions including every travel situations including gradients / descents.

- 3 adjustable travel programmes for individual adjustment to set requirements.
- Regenerative braking with energy recovery when slowing down.
- Safe cornering – the operator has the truck under control at all times.

Excellent ergonomics

- Low stand-on platform for frequent effortless mounting and dismounting.
- Short distances for the operator from operator platform to coupling or load.
- The coupling can be seen from any position and is easily accessible.
- Fast and easy trailer coupling and decoupling with semi-automatic remote release (optional) from operator platform.
- Electric steering with JetPilot steering wheel.
- CSE load wheels for excellent travel comfort.

Robust construction for hard applications

- Chassis made of high-quality 8 mm sheet steel

- Extra high chassis apron on front cover

Long operating times

Energy-saving AC technology and high battery capacities allow long operating times:

- Standard version: 2 PzS 250 Ah
- Integrated charger (24 V/ 30 A) for easy charging at any mains socket (optional)

Fully informed at any time

Extensive display provides a complete overview at any time:

- CanDis (optional) informs on battery discharge condition, number of operating hours and fault codes.
- Truck activation via PIN and selection of 3 travel programmes via keyboard (optional).
- Adjustable travel parameters via CanDis and CanCode (optional).

Additional equipment

- Several couplings for different trailer types.
- Rear inching via buttons in the backrest on both sides.

Jungheinrich
Vertrieb Deutschland AG & Co. KG

Am Stadtrand 35
D-22047 Hamburg
Telephone +49 40 6948-0
Telefax +49 40 6948-1777

info@jungheinrich.com
www.jungheinrich.com

The German production facilities in Norderstedt and Moosburg are certified. **ISO 9001**
ISO 14001

Jungheinrich fork lift trucks meet European safety requirements.



JUNGHEINRICH
Machines. Ideas. Solutions.