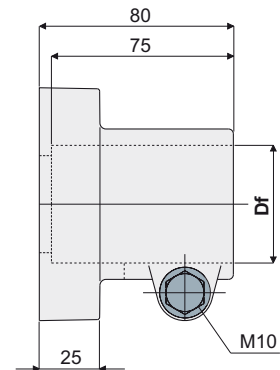
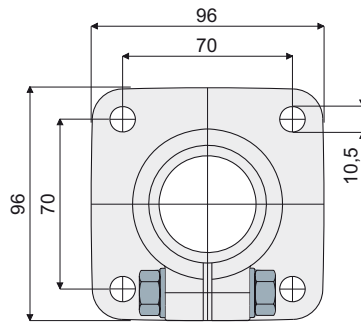


# Bearing heads

## Part. 212 Bearing head



Df Bore for tubes of		Zinc plated bolts and nuts	Stainless steel AISI 304 bolts and nuts
(mm)	(Inches)	Code	Code
48,3	1" 1/2	212 / 80650	212 / 80651
50,8	-	212 / 83208	212 / 83110

**MATERIALS:** Bearing head made of reinforced polyamide black colour; bolts and nuts made of stainless steel AISI 304 or zinc plated steel.

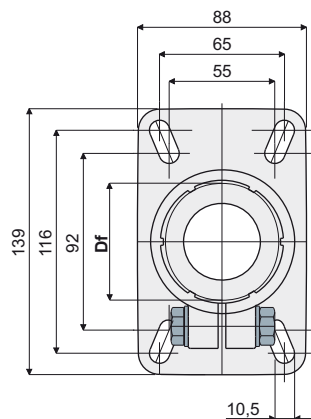
**FEATURES:** Max tightening torque 3,6 Kg-m.

**BOX QUANTITY:** 8 pieces.

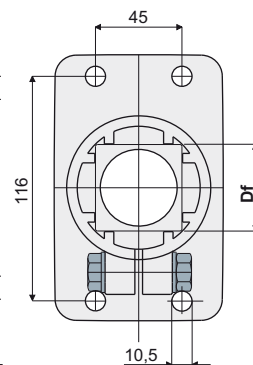
**ON REQUEST:**

- **Bearing heads:** In reinforced polypropylene, other colours.
- **Box Quantity:** According to your request.
- **Assembling of:** Bolts and nuts.

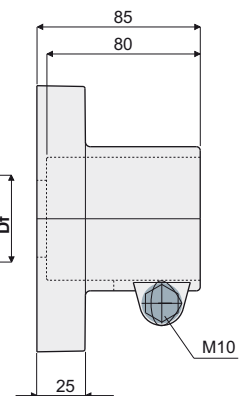
## Part. 208 Bearing head



For round tubes



For square tubes 45x45



Df Bore for tubes of		Zinc plated bolts and nuts	Stainless steel AISI 304 bolts and nuts
(mm)	(Inches)	Code	Code
60,3	2"	208 / 80764	208 / 80765
50,8	-	208 / 82072	208 / 82073
48,3	1" 1/2	208 / 80766	208 / 80767
42,4	1" 1/4	208 / 80768	208 / 80769
45x45	square tube	208 / 80770	208 / 80771

**MATERIALS:** Bearing head made of reinforced polyamide black colour; bolts and nuts made of stainless steel AISI 304 or zinc plated steel.

**FEATURES:** Max tightening torque 3,6 Kg-m.

**BOX QUANTITY:** 8 pieces.

**ON REQUEST:**

- **Bearing heads:** In reinforced polypropylene, other colours.
- **Box Quantity:** According to your request.
- **Assembling of:** Bolts and nuts.