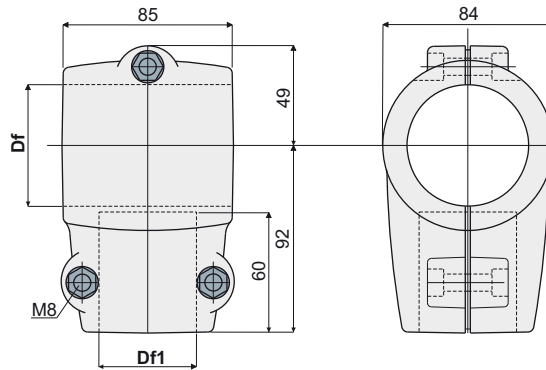


Connecting joints

Part. 210 Connection joint for round tubes



Df		Df1		Zinc plated bolts and nuts	Stainless steel AISI 304 bolts and nuts
Bore for tubes of (mm)	(Inches)	Bore for tubes of (mm)	(Inches)	Code	Code
60,3	2"	48,3	1" 1/2	210 / 80638	210 / 80639
60,3	2"	42,4	1" 1/4	210 / 80640	210 / 80641
48,3	1" 1/2	48,3	1" 1/2	210 / 80642	210 / 80643
48,3	1" 1/2	42,4	1" 1/4	210 / 80644	210 / 80645
42,4	1" 1/4	42,4	1" 1/4	210 / 80646	210 / 80647

MATERIALS: Joint made of reinforced polyamide black colour; bolts and nuts made of stainless steel AISI 304 or zinc plated steel.

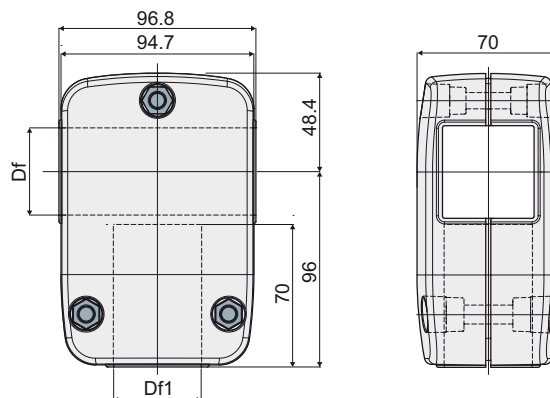
FEATURES: Max tightening torque 2 Kg-m.

BOX QUANTITY: 8 pieces.

ON REQUEST:

- Joints: In reinforced polypropylene, other colours.
- Box Quantity: According to your request.
- Assembling of: Bolts and nuts.

Part. 210 Connection joint for square tubes



Df	Df1	Zinc plated bolts and nuts	Stainless steel AISI 304 bolts and nuts
Bore for tubes of (mm)	Bore for tubes of (mm)	Code	Code
45x45	45x45	210 / 84132	210 / 84133

MATERIALS: Joint made of reinforced polyamide black colour; bolts and nuts made of stainless steel AISI 304 or zinc plated steel.

FEATURES: Max tightening torque 2 Kg-m.

BOX QUANTITY: 8 pieces.

ON REQUEST:

- Joints: In reinforced polypropylene, other colours.
- Box Quantity: According to your request.
- Assembling of: Bolts and nuts.