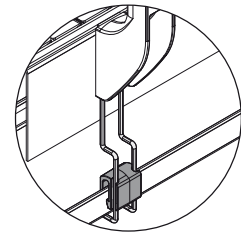
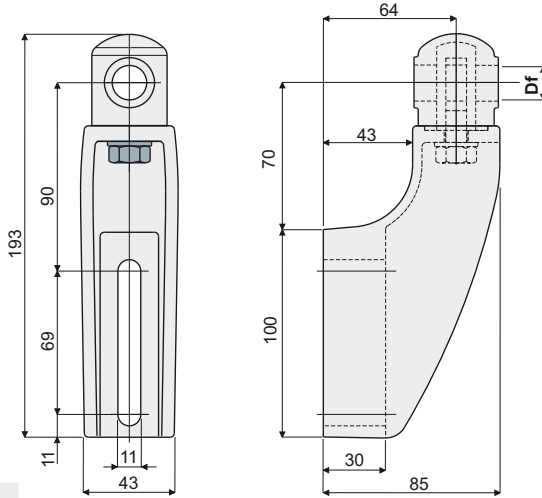


Guide rail brackets

Part. 255 Guide rail bracket (reinforced type with adjustable head)



Presetting for drip tray support (see on page 22)

Df Bore for pin of (mm)	Code
12	255 / 81008
14	255 / 81009
16	255 / 81010

MATERIALS: Bracket and head made of reinforced polyamide black colour; eyebolt, nut and washer made of stainless steel AISI 304.

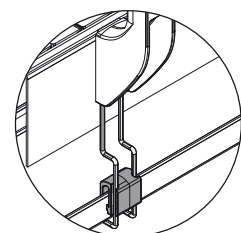
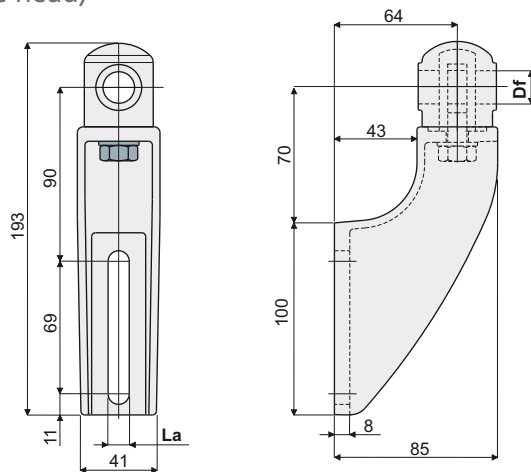
FEATURES: To be used for heavy applications, suitable in conveyors with more ways, both in accumulation and curve. Max tightening torque 4 Kg-m.

BOX QUANTITY: 24 pieces.

ON REQUEST:

- Brackets: In reinforced polypropylene, other colours.
- Box Quantity: According to your request.

Part. 219 Guide rail bracket (with adjustable head)



Presetting for drip tray support (see on page 22)

Df Bore for pin of (mm)	La (9 mm slot) Code	La (11 mm slot) Code
12	219 / 82114	219 / 80664
14	219 / 82115	219 / 80665
16	219 / 82116	219 / 80666

MATERIALS: Bracket and head made of reinforced polyamide black colour; eyebolt, nut and washer made of stainless steel AISI 304.

FEATURES: Max tightening torque 4 Kg-m.

BOX QUANTITY: 24 pieces.

ON REQUEST:

- Brackets: In reinforced polypropylene, other colours.
- Box Quantity: According to your request.