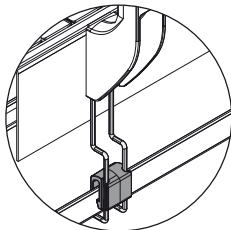


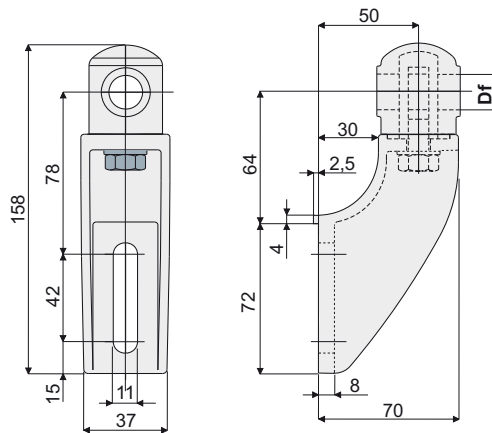
# Guide rail brackets

## Guide rail bracket (with adjustable head)

Part. **217**



Presetting for  
drip tray support  
(see on page 22)



Df Bore for pin of (mm)	Code
12	217 / 80760
14	217 / 80761
16	217 / 80762

**MATERIALS:** Bracket and head made of reinforced polyamide black colour; eyebolt, nut and washer made of stainless steel AISI 304.

**FEATURES:** Max tightening torque 4 Kg-m.

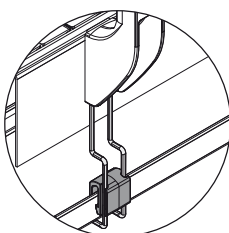
**BOX QUANTITY:** 24 pieces.

**ON REQUEST:**

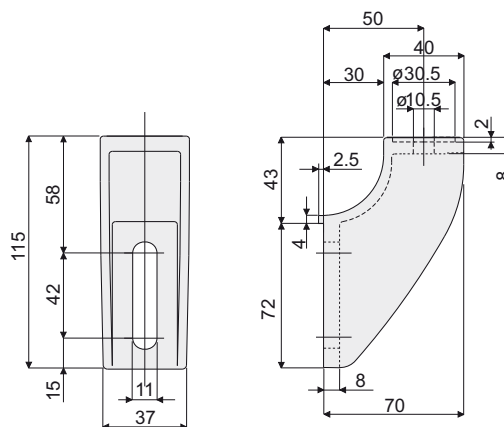
- Brackets: In reinforced polypropylene, other colours.
- Box Quantity: According to your request.

## Guide rail bracket (for adjustable heads)

Part. **209**



Presetting for  
drip tray support  
(see on page 22)



Code
209 / 80754

**MATERIALS:** Bracket made out of reinforced polyamide black colour.

**FEATURES:** To be used with heads Part.221, 222, 223 and 266.

**BOX QUANTITY:** 24 pieces.

**ON REQUEST:**

- Brackets: In reinforced polypropylene, other colours.
- Box Quantity: According to your request.