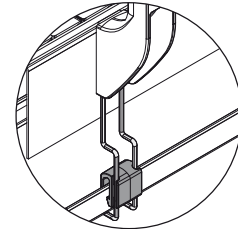
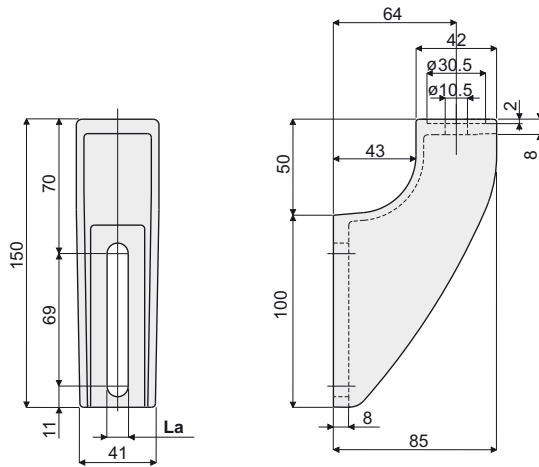


Guide rail brackets

Part. 220 Guide rail bracket (for adjustable heads)



Presetting for drip tray support (see on page 22)

La (9 mm slot)	La (11 mm slot)
Code	Code
220 / 82111	220 / 80667

MATERIALS: Bracket made out of reinforced polyamide black colour.

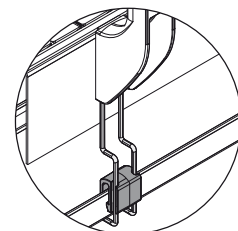
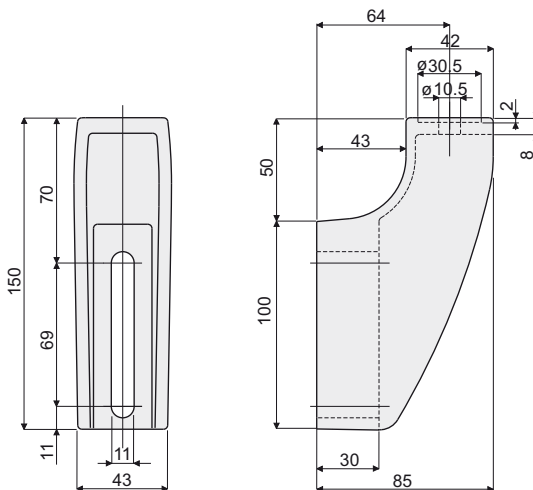
FEATURES: To be used with heads Part.221, 222, 223 and 266.

BOX QUANTITY: 24 pieces.

ON REQUEST:

- Brackets: In reinforced polypropylene, other colours.
- Box Quantity: According to your request.

Part. 242 Guide rail bracket (reinforced type for adjustable head)



Presetting for drip tray support (see on page 22)

Code
242 / 81002

MATERIALS: Bracket made of reinforced polyamide black colour.

FEATURES: To be used with heads Part.221, 222, 223 and 266 for heavy applications.

Suitable in conveyors with more ways, both in accumulation and curve.

BOX QUANTITY: 24 pieces.

ON REQUEST:

- Brackets: In reinforced polypropylene, other colours.
- Box Quantity: According to your request.