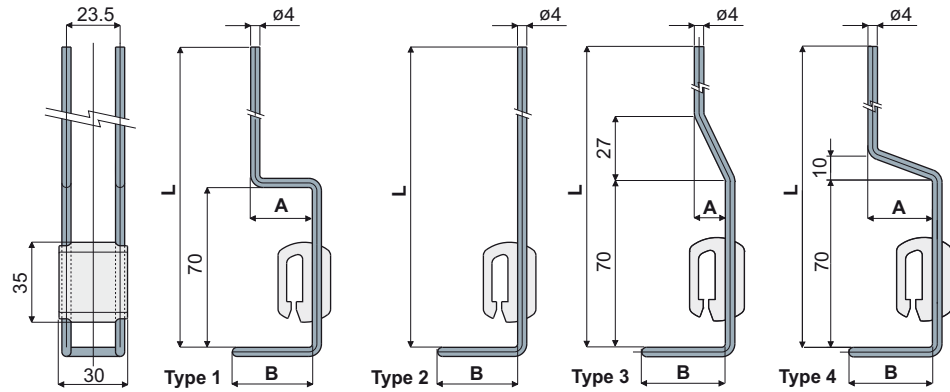


# Guide rail brackets

## Part. 236 Drip tray support



L (mm)	B (mm)	A (mm)	Type 1 Code
180	35	27	236 / 80779
180	35	17	236 / 81012
230	35	27	236 / 82683

L (mm)	B (mm)	Type 2 Code
200	35	236 / 80780
246	35	236 / 81013

L (mm)	B (mm)	A (mm)	Type 3 Code
250	35	13	236 / 82640

L (mm)	B (mm)	A (mm)	Type 4 Code
280	35	27	236 / 82949

**MATERIALS:** Support elements made of stainless steel AISI 304; body of coupling made of reinforced polyamide black colour.

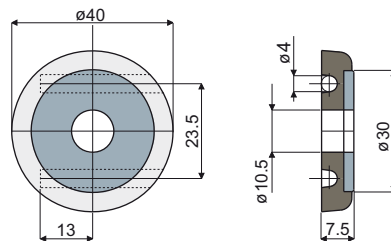
**FEATURES:** To be used to support drip trays.

**BOX QUANTITY:** 24 pieces.

**ON REQUEST:**

- Drip tray supports: Supplied in different shapes and sizes.
- Box Quantity: According to your request.

## Part. 235 Mounting plate (for drip tray support)



Code

235 / 80778

**MATERIALS:** Plate made of reinforced polyamide black colour; washer made of stainless steel AISI 304.

**FEATURES:** For application on conveyor side to fasten drip tray support.

**BOX QUANTITY:** 24 pieces.

**ON REQUEST:**

- Box Quantity: According to your request.