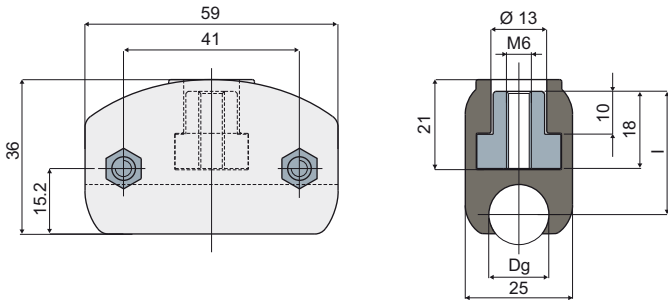


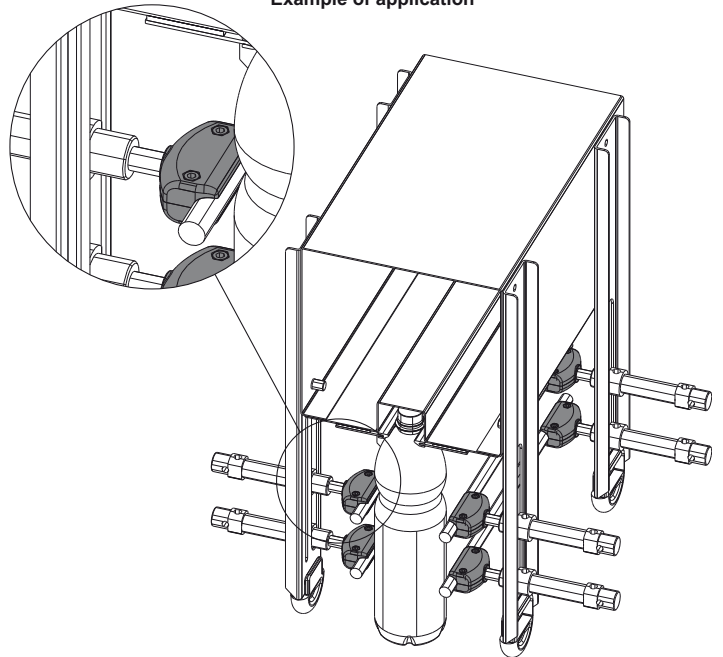
Guide rail clamps

Part. 346 Guide rail clamp (for round rails)

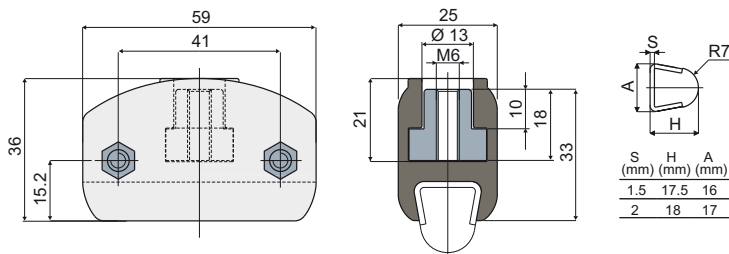


Dg Rail diameter (mm)	l (mm)	Code
8	30	346 / 83390
10	29.5	346 / 83391
12	29.5	346 / 83392
14	28.7	346 / 83393

Example of application



Part. 347 Guide rail clamp (for trapezoidal rails)



Code
347 / 83394

MATERIALS: Clamp made of reinforced polyamide black colour; threaded insert in nickel plated brass; bolts and nuts in stainless steel AISI 304.

FEATURES: designed appositely to be assembled directly on the pneumatic cylinder for the rails regulation. Supplied assembled.

BOX QUANTITY: 24 pieces.

ON REQUEST:

- Clamps: In reinforced polypropylene, other colours.
- Box Quantity: According to your request.

Example of application

