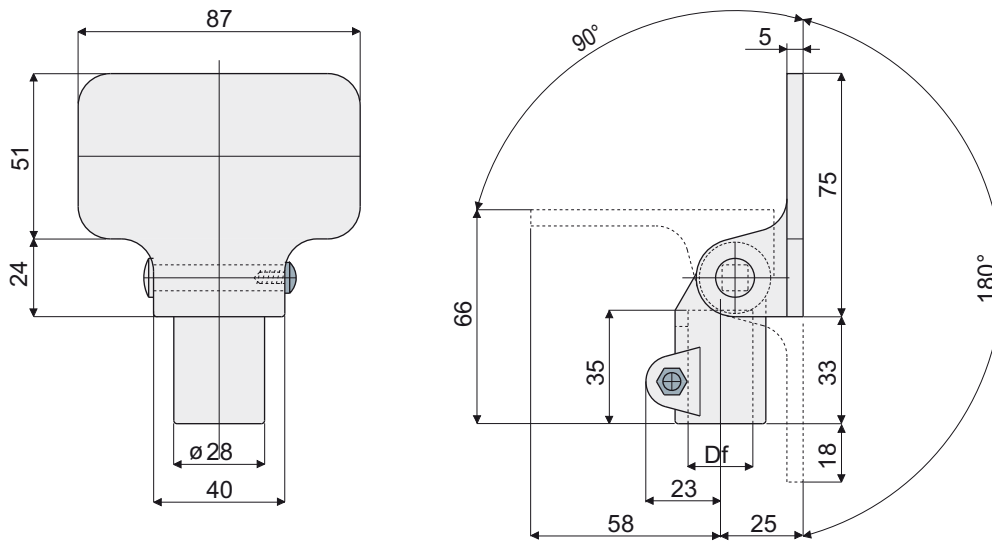


Clamps

Part. **206**

Clamp support for photocells
(for photocells and reflectors)



Df Bore for pin of (mm)	Code
12	206 / 82010 (can be used also with square pins 10x10)
14	206 / 80818
15	206 / 80819
16	206 / 80820
18	206 / 80821
20	206 / 80822

MATERIALS: Clamp made of reinforced polyamide black colour; bolts and nuts made of stainless steel AISI 304.

FEATURES: Possibility of assembly in various positions.

BOX QUANTITY: 24 pieces.

ON REQUEST:

- Clamps: In reinforced polypropylene, other colours.
- Box Quantity: According to your request.