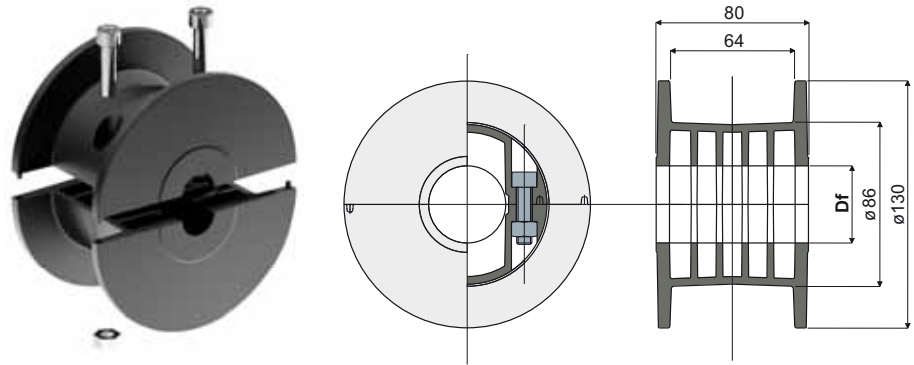


Idler wheels

Part. 310 Split idler wheel 10 teeth (for chains series 879 Tab, 880 Tab and 881 Tab)

Df Bore for shaft of (mm)	Code
20	310 / 82827
25	310 / 82828
30	310 / 82829
35	310 / 82830
40	310 / 82831

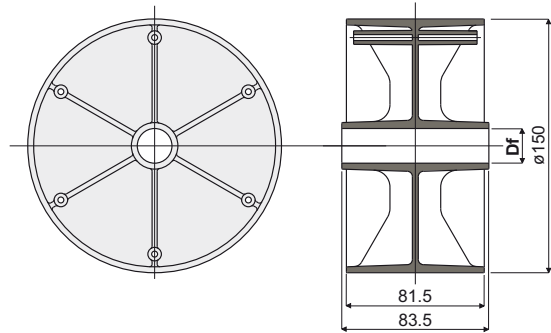


MATERIALS: Wheel made of polyamide black colour; bolts and nuts made of stainless steel AISI 304.
FEATURES: Supplied assembled. To be used for chain return in series 879 Tab, 880 Tab and 881 Tab.
BOX QUANTITY: 12 pieces.
ON REQUEST:

- Wheels: With special bores, other colours.
- Box Quantity: According to your request.

Part. 268 Idler wheel for chain return

Df Bore for pin of (mm)	Code
20	268 / 82040

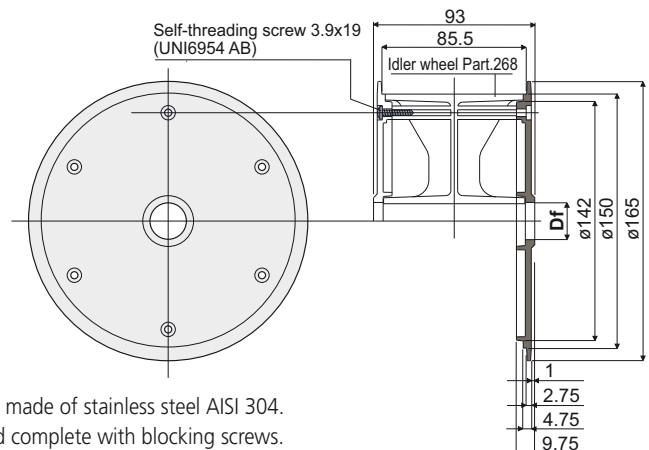


MATERIALS: Wheel in polyamide black colour.
FEATURES: To be assembled in the chain return near to the sprocket.
BOX QUANTITY: 12 pieces.
ON REQUEST:

- Wheels: Other bore sizes, materials and colours.
- Box Quantity: According to your request.

Part. 269 Flange for chain guide (for idler wheel Part. 268)

Df Bore for pin of (mm)	Code
20	269 / 82041



MATERIALS: Flange is made of polyamide black colour; self-threading screws are made of stainless steel AISI 304.
FEATURES: To be assembled to our idler wheel Part.268 for chain guide. Supplied complete with blocking screws.
BOX QUANTITY: 24 pieces.
ON REQUEST:

- Flanges: Other bore sizes, materials and colours.
- Box Quantity: According to your request.