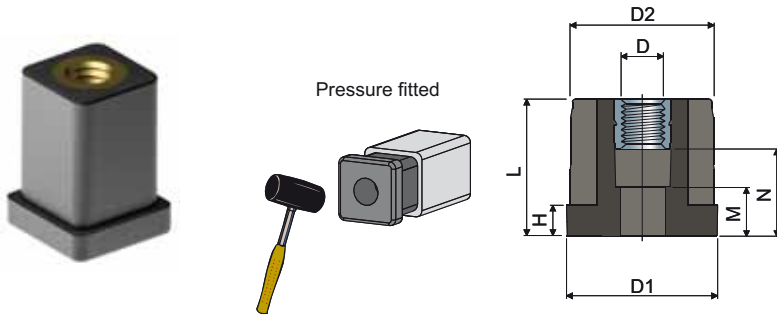


Bushings

Part. 336 Threaded bushings (for conveyor flanks)



Tube dimensions										Code
Outside (mm)	Thickness (mm)	Inside (mm)	Thread D	D1 (mm)	D2 (mm)	H (mm)	L (mm)	M (mm)	N (mm)	
20x20	1,5	17x17	M8	20x20	17x17	5	28	13	18	336 / 83138

MATERIALS: Bush in reinforced polyamide black colour; threaded insert in brass.

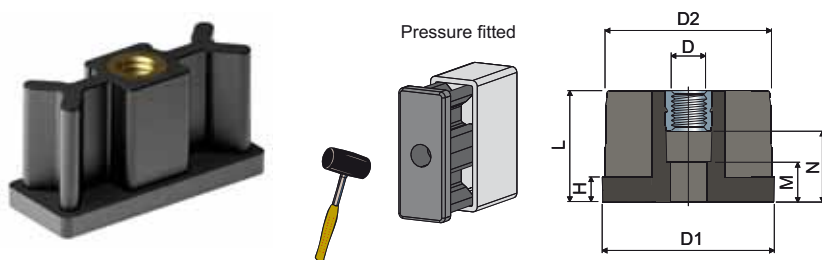
FEATURES: Supplied assembled. To be assembled in the conveyor flanks.

BOX QUANTITY: 48 pieces.

ON REQUEST:

- Bushes: Special thickness tube.
- Box Quantity: According to your request.

Part. 335 Threaded bushings (for conveyor flanks)



Tube dimensions										Code
Outside (mm)	Thickness (mm)	Inside (mm)	Thread D	D1 (mm)	D2 (mm)	H (mm)	L (mm)	M (mm)	N (mm)	
20x50	2	16x46	M8	20x50	16x46	5	28	13	18	335 / 83128

MATERIALS: Bush in reinforced polyamide black colour; threaded insert in brass.

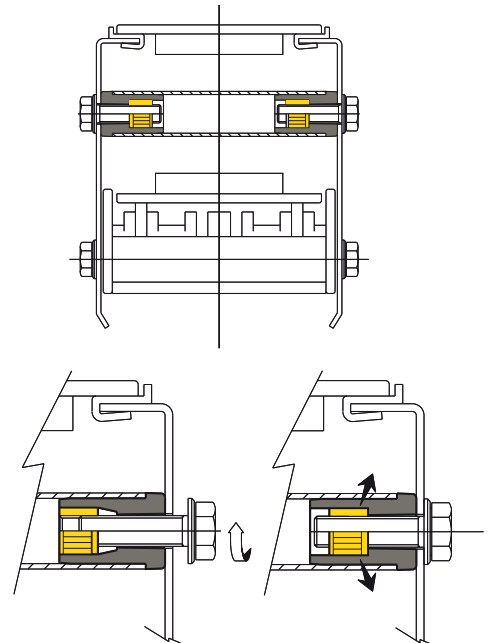
FEATURES: Supplied assembled. To be assembled in the conveyor flanks.

BOX QUANTITY: 48 pieces.

ON REQUEST:

- Bushes: Special thickness tube.
- Box Quantity: According to your request.

Example of application



Example of application

