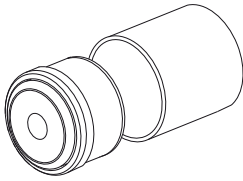


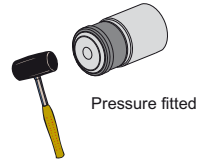
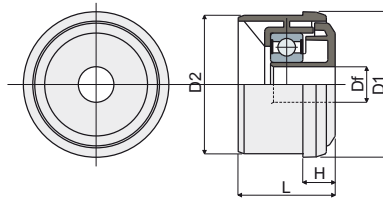
Bearing supports

Example of assembly



Bearing support for conveyor rollers (for idler roller)

Part. **263**



Tube dimensions							Bore for pin of	Code	Bearing type
Outside ø (mm)	Thickness (mm)	Inside ø (mm)	D1 (mm)	D2 (mm)	H (mm)	L (mm)	Df (mm)		
50	1,5	47	50	47	11	30	12	263 / 82032	6202-2RS
50	1,5	47	50	47	11	30	14	263 / 82256	6202-2RS

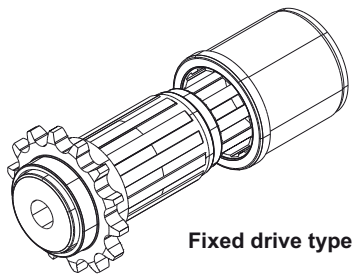
MATERIALS: Bearing support with protective shield made of polyamide grey colour; external bushing made of polyamide black colour; bearing made of chrome steel.

FEATURES: To be inserted in the tube sides to build a roller conveyor.

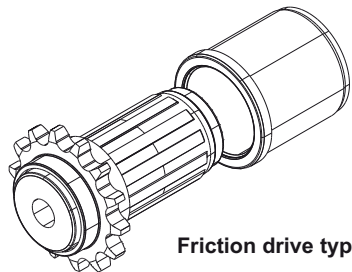
BOX QUANTITY: 24 pieces.

ON REQUEST:

- Bearing supports: Other colours, bores with different sizes.
- Box Quantity: According to your request.



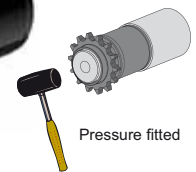
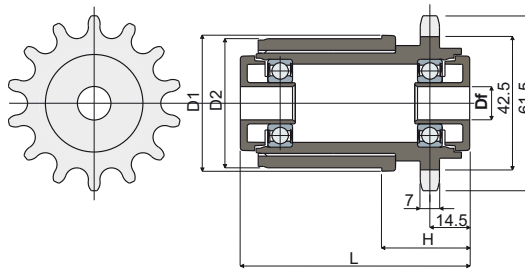
Fixed drive type



Friction drive type

Bearing support for conveyor rollers (for drive roller)

Part. **264**



Tube dimensions							Bore for pin of	Fixed drive type	Friction drive type	Bearing type
Outside ø (mm)	Thickness (mm)	Inside ø (mm)	D1 (mm)	D2 (mm)	H (mm)	L (mm)	Df (mm)	Code	Code	
50	1,5	47	50	47	32	83	12	264 / 82033	264 / 82217	6002-2RS
50	1,5	47	50	47	32	83	14	264 / 82215	264 / 82218	6002-2RS

MATERIALS: Bearing support with protective shield made of polyamide grey colour; external bushing made of polyamide black colour; bearing made of chrome steel.

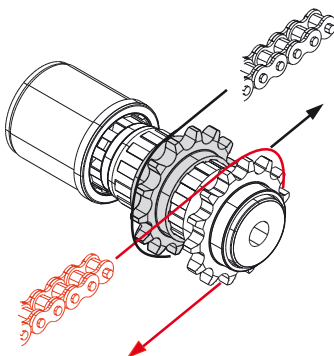
FEATURES: To be inserted in the tube sides to build a roller conveyor. Drive sprocket with 14 teeth for roller chain type DIN 8187-08-b1.

BOX QUANTITY: 24 pieces.

ON REQUEST:

- Bearing supports: other colours, bores with different sizes.
- Box Quantity: According to your request.

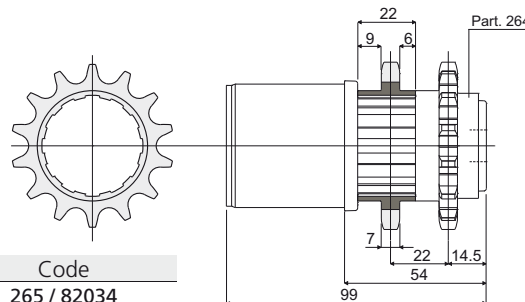
Roller chain type DIN 8187 tipo 08-B1



Example of assembly

14 teeth sprocket (for bearing support Part. 264)

Part. **265**



Code
265 / 82034

MATERIALS: Drive sprocket is made of polyamide black colour.

FEATURES: Accessory to be used with bearing support Part.264 to make the drive roller to roller. This drive type allows a greater torque.

BOX QUANTITY: 24 pieces.

ON REQUEST:

- Sprockets: other colours.
- Box Quantity: According to your request.