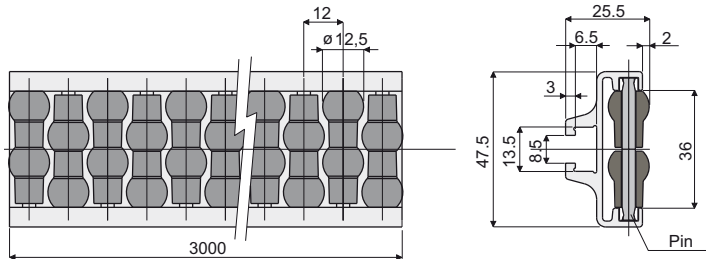


Product guides and accessories

Part. 306 Roller side guide (single type, with pearls)



Pin in acetal resin	Pin in stainless steel AISI 304
Code	Code
306 / 82809	306 / 84548

MATERIALS: Roller side guide with metal profile in anodized aluminium; rollers in polyamide grey colour; support pins in acetal resin white colour or stainless steel AISI 304.

FEATURES: Supplied already assembled, in bars of 3 meters length.

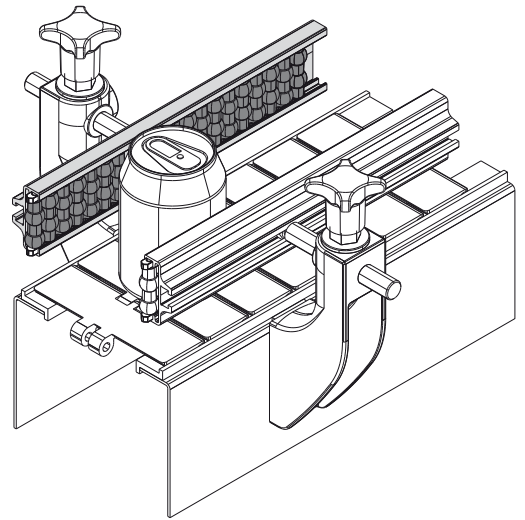
Min. curvature radius: 250 mm.

BOX QUANTITY: 2 bars of 3 meters (total 6 meters).

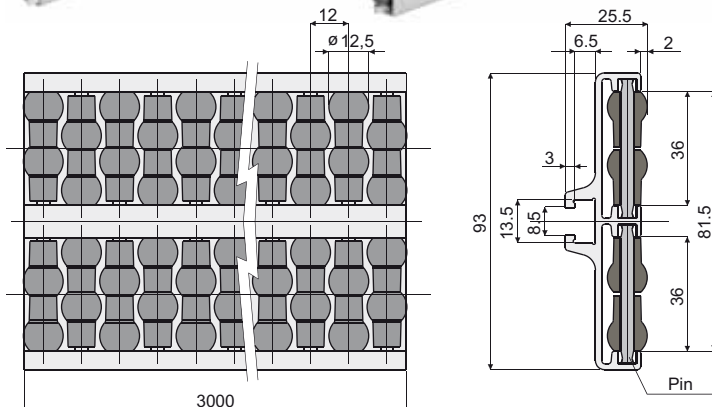
ON REQUEST:

- Roller side guide: Other colours.

Example of application



Part. 307 Roller side guide (double type, with pearls)



Pin in acetal resin	Pin in stainless steel AISI 304
Code	Code
307 / 82810	307 / 84549

MATERIALS: Roller side guide with metal profile in anodized aluminium; rollers in polyamide grey colour; support pins in acetal resin white colour or stainless steel AISI 304.

FEATURES: Supplied already assembled, in bars of 3 meters length.

Min. curvature radius: 500 mm.

BOX QUANTITY: 2 bars of 3 meters (total 6 meters).

ON REQUEST:

- Roller side guide: Other colours.

Example of application

