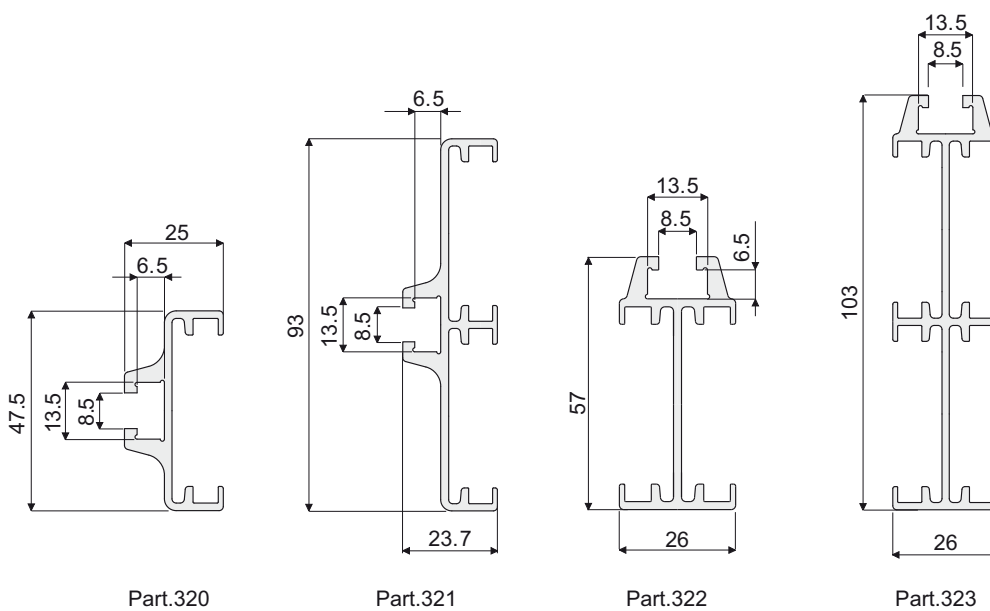


Product guides and accessories

Profiles for guides

- Part. **320**
- Part. **321**
- Part. **322**
- Part. **323**



Type	Version	Code	Length
Side	Single	320 / 82917	3000
	Double	321 / 82918	3000
Central	Single	322 / 82919	3000
	Double	323 / 82920	3000

MATERIALS: Metal profile in anodized aluminium.

FEATURES: Supplied in bars of 3 meters length.

To be used with roller guides Part. 306, 307, 308, 319, 325, 326, 327, 328.

BOX QUANTITY: 2 bars of 3 meters (total 6 meters).