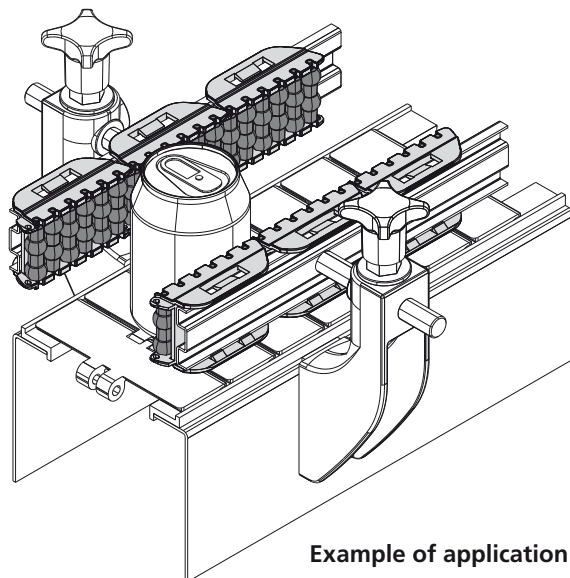
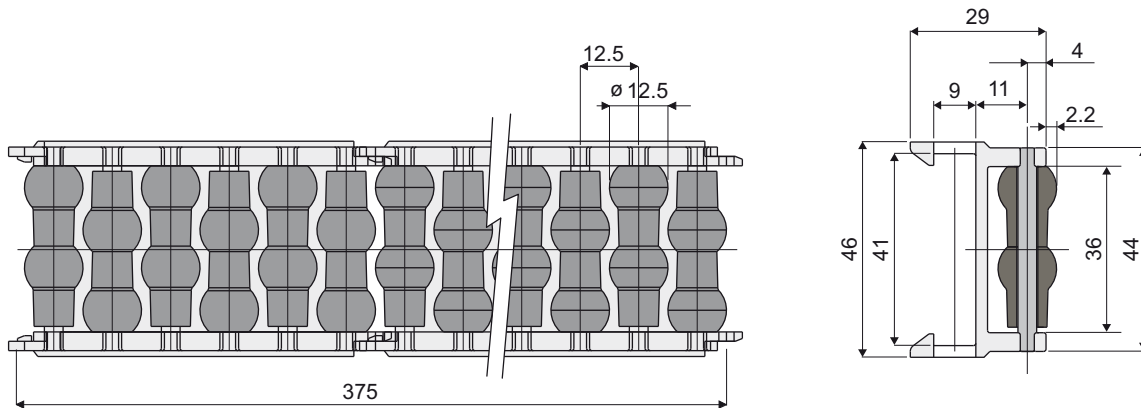


Product guides and accessories

Part. **345** **Roller side guide**
(375 mm modules with pearls)



Example of application

Code
345 / 83380

MATERIALS: Rollers in polyamide grey colour; support pins and modules in acetal resin black colour.

FEATURES: Supplied already assembled, in modules of 375 mm length, for 40x8 mm plate. Min. curvature radius: ext = 500 mm; int. = 350 mm.

BOX QUANTITY: 12 pieces.

ON REQUEST:

- Module and rollers: can be produced in other colours
- Box quantity: According to your request.