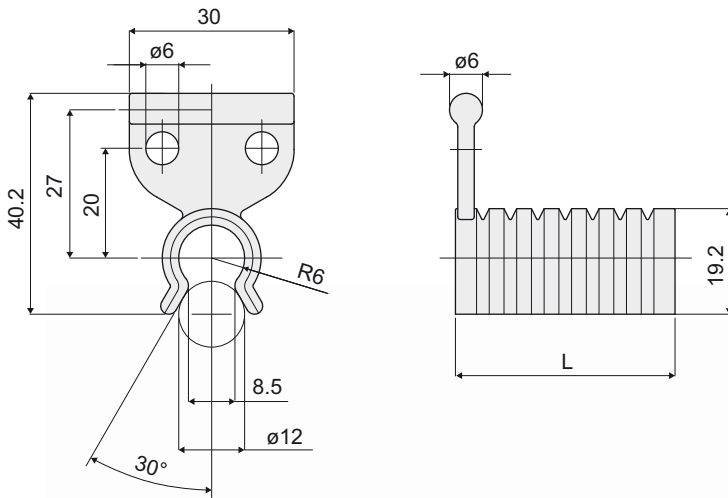
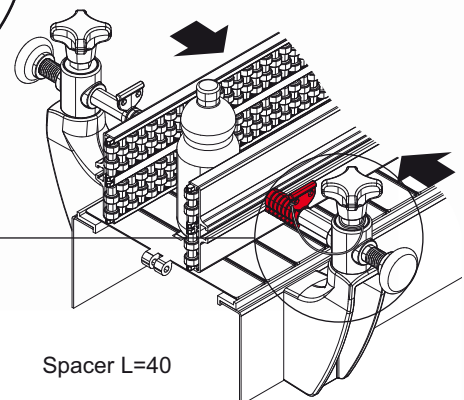
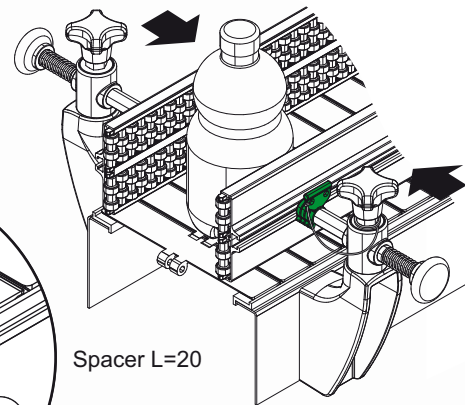
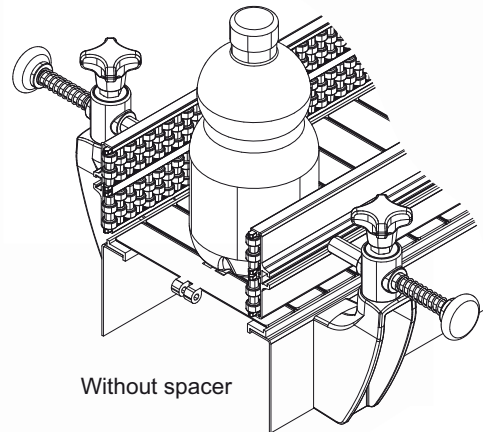


Accessories for the cross adjustment of the side guides

Part. 352 Spacer for guide rail pin



Example of applications



L	Colour	Code
5	White RAL 9001	352 / 83419
10	Red RAL 3000	352 / 83420
15	Black RAL 9005	352 / 83421
20	Green RAL 6029	352 / 83422
25	Yellow RAL 1021	352 / 83423
30	Orange RAL 2004	352 / 83424
35	Blue RAL 5015	352 / 83425
40	White RAL 9001	352 / 83411
	Red RAL 3000	352 / 83412
	Black RAL 9005	352 / 83413
	Green RAL 6029	352 / 83414
	Yellow RAL 1021	352 / 83415
	Orange RAL 2004	352 / 83416
	Blue RAL 5015	352 / 83417
	Gray RAL 7035	352 / 83418

MATERIALS: Spacer in polypropylene.

FEATURES: To be used to adjust the distance between the side guides. Snap-on assembly. Available in different lengths and colours.

BOX QUANTITY: 24 pieces.

ON REQUEST:

- Spacers: Other colours.
- Box Quantity: according to your request.