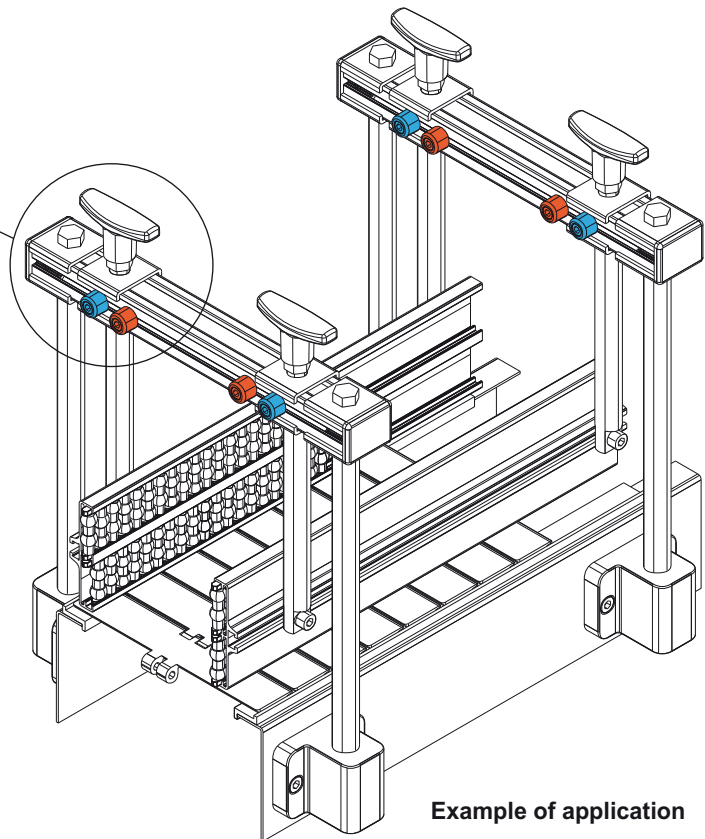
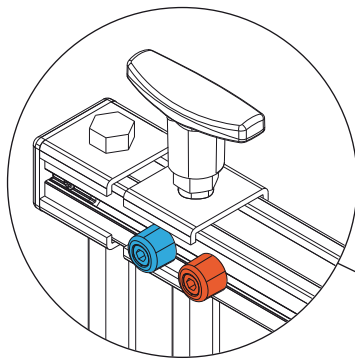
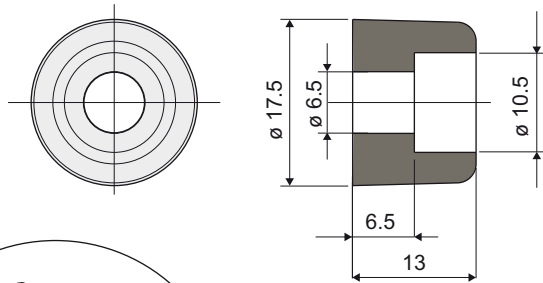


Accessories for the cross adjustment of the side guides

Part. 331 Reference peg for size changing



Example of application

Code	Colour
331 / 83090	Black RAL 9005
331 / 83091	White RAL 9001
331 / 83092	Red RAL 3000
331 / 83093	Yellow RAL 1021
331 / 83094	Blue RAL 5015
331 / 83095	Green RAL 6029
331 / 83096	Mustard RAL 1027
331 / 83097	Orange RAL 2004
331 / 83098	Grey RAL 7035
331 / 83099	Pink RAL 3015
331 / 83100	Light blue RAL 6027
331 / 83101	Brown RAL 8001

MATERIALS: Peg in reinforced polypropylene.

FEATURES: To be used as a reference on the transport guides for size changing.

BOX QUANTITY: 96 pieces.

ON REQUEST:

- Pegs: Can be produced in other colours.
- Box Quantity: According to your request.