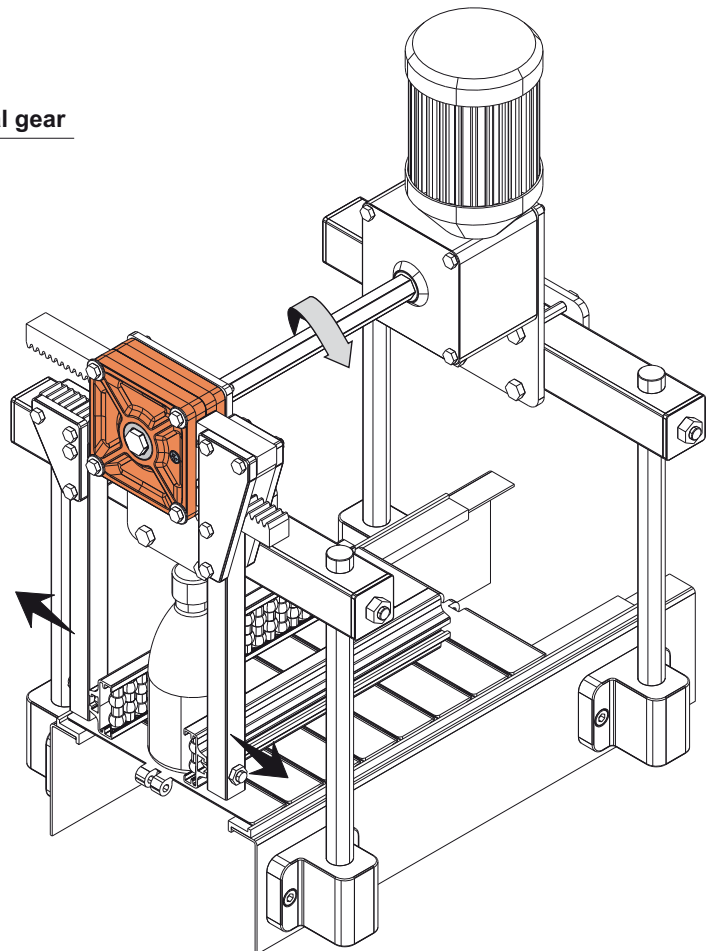
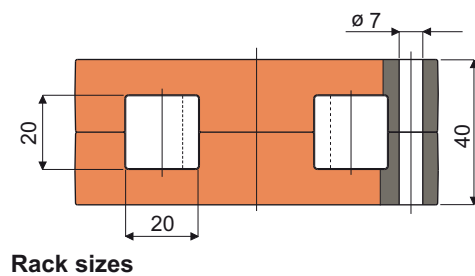
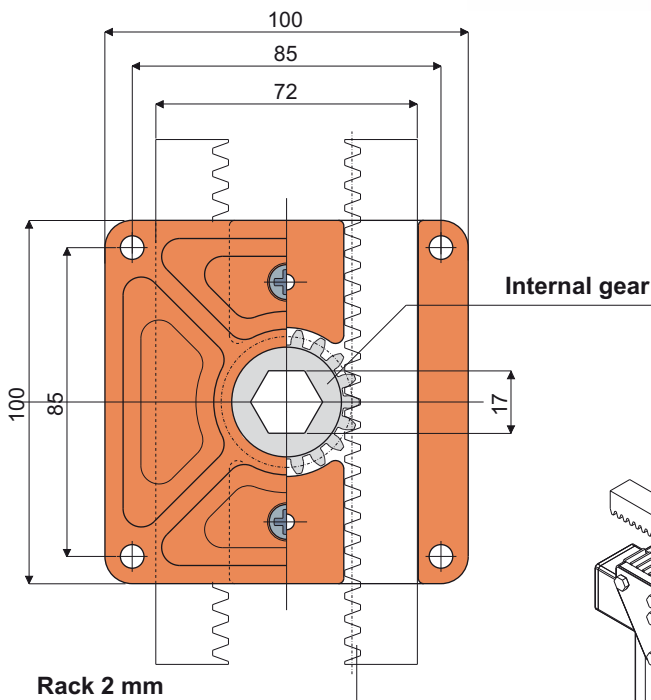


Accessories for the cross adjustment of the side guides

Reducer for Racks

(for the cross adjustment of the side guides)

Part. **299**



Example of application

Internal gear made of acetal	Internal gear made of brass	Without internal gear
Code	Code	Code
299 / 82681	299 / 83378	299 / 82680

MATERIALS: External body of reducer is made of reinforced polyamide orange colour; self-threading screw is made of stainless steel AISI 304. Available: without internal gear; with internal gear made of acetal, white color; with internal gear made of brass.

FEATURES: To be used for the cross adjustment of the side guides while changing the size of the conveyed product.

BOX QUANTITY: 24 pieces.

ON REQUEST:

- Reducers: In different colours.
- Box Quantity: According to your request.