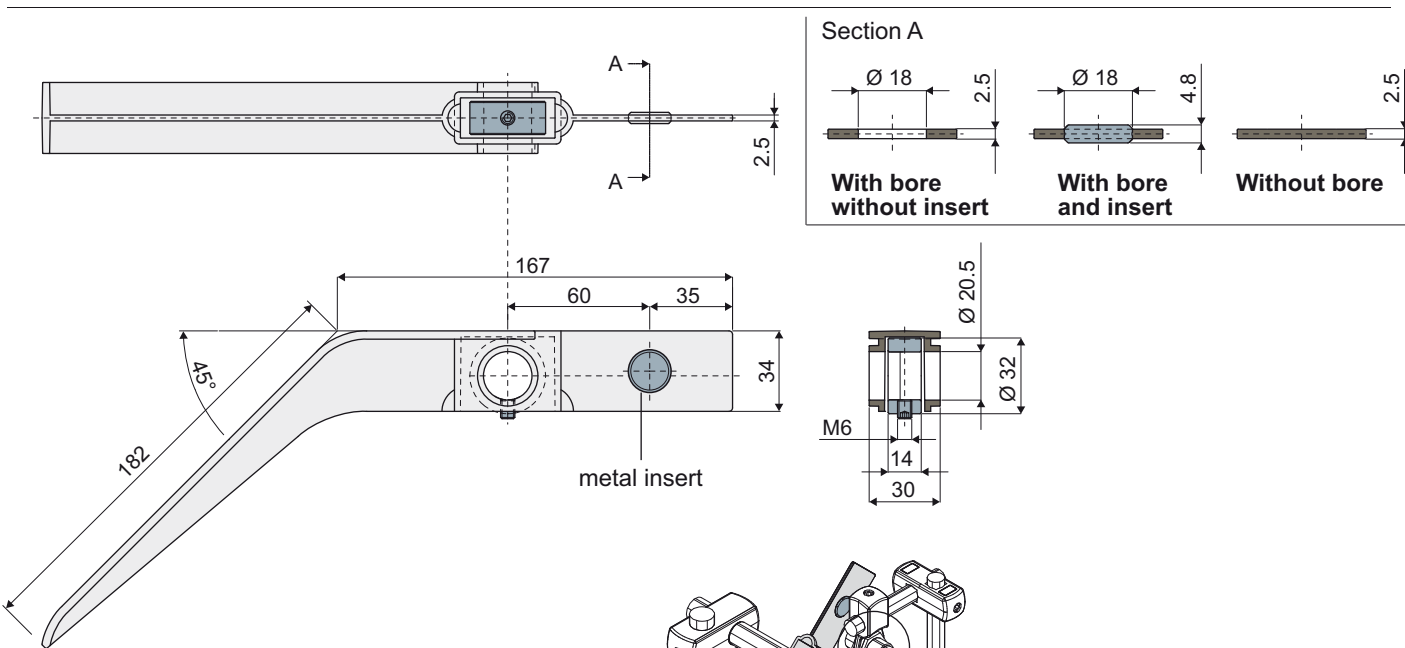


Process control

Part. 360 Scanning lever



Stop ring in zinc plated steel		
Without bore	With bore without sensor insert	With bore and sensor insert
Code	Code	Code
360 / 83606	360 / 83607	360 / 83608

Stop ring in stainless steel
Without bore
Code
360 / 84091

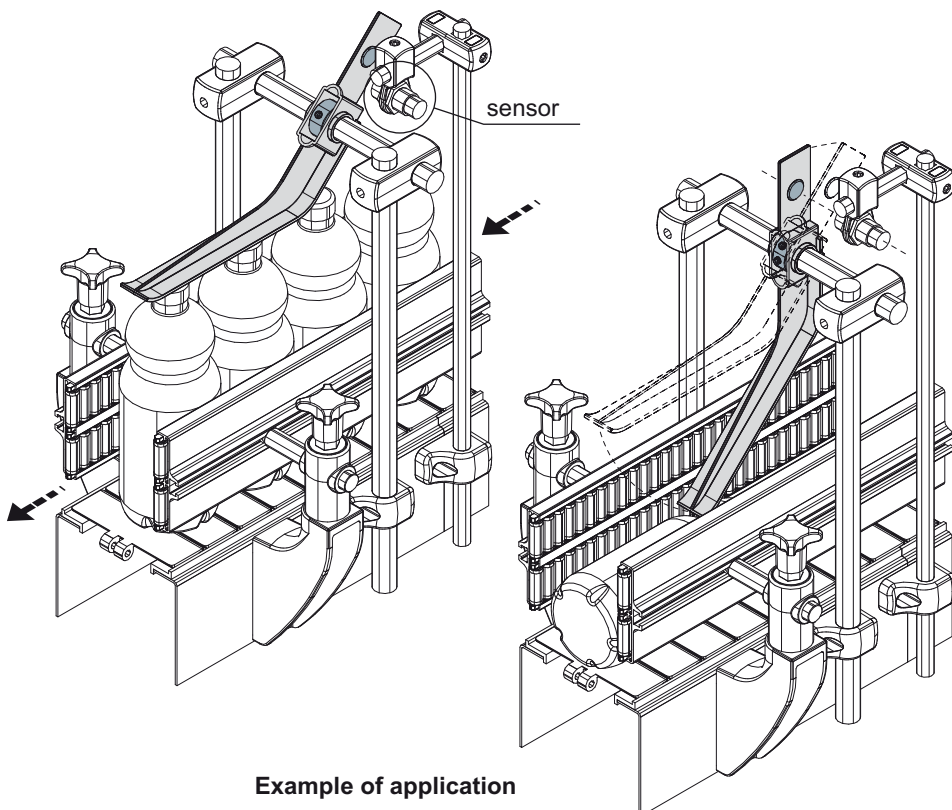
MATERIALS: Scanning lever in reinforced Polyamide black colour; grain and collar in zinc-plated steel.

FEATURES: Supplied assembled. To be used in the surveying of the packaged products, to help the arrival of the products.

BOX QUANTITY: 24 pieces.

ON REQUEST:

- Scanning levers: Versions with bore and stop ring in stainless steel AISI 304, in different colors.
- Confezioni: Fuori standard.



Example of application