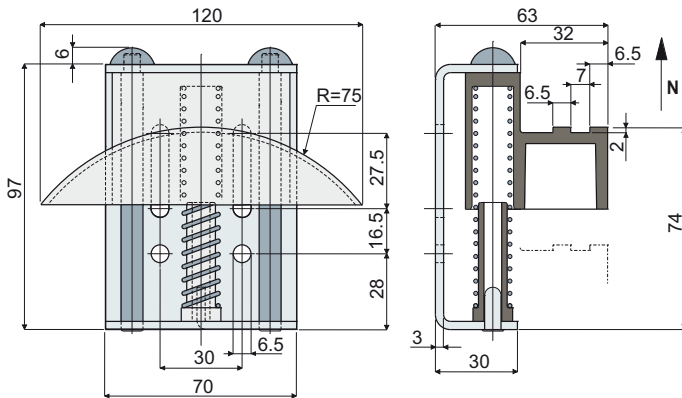


Chain tensioners

Chain tensioner with sliding shoe (for roller chain type DIN 8187 08-B1 and 08-B2)

Part. **277**



Code	Min. tension load (N)	Max. tension load (N)
277 / 82068	60	110

MATERIALS: External part, pin and spring are made of zinc plated steel; sliding shoe and spring guide are made of polyamide black colour.

FEATURES: To be assembled in the transmissions with roller chain to stretch it.

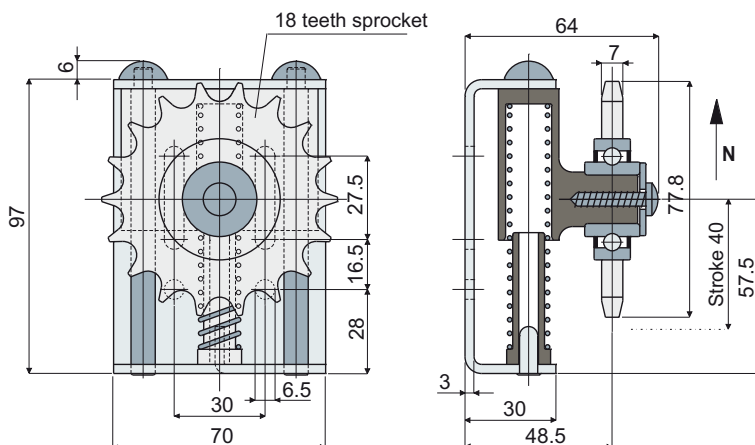
BOX QUANTITY: 12 pieces.

ON REQUEST:

- Sliding shoes: Different shapes for different chains, other materials and colours.
- Box Quantity: According to your request.

Chain tensioner with sprocket (for roller chain type DIN 8187 08-B1)

Part. **278**



Code	Min. tension load (N)	Max. tension load (N)
278 / 82069	60	110

MATERIALS: External part, sprocket, pins and spring are made of zinc plated steel; cursor and spring guide are made of polyamide black colour.

FEATURES: To be assembled in the transmissions with roller chain to stretch it.

BOX QUANTITY: 12 pieces.

ON REQUEST:

- Sprockets: With other number of teeth.
- Box Quantity: According to your request.