



Square flanged bearing supports

Serie **UCF/C**

Serie **MUCF/C**

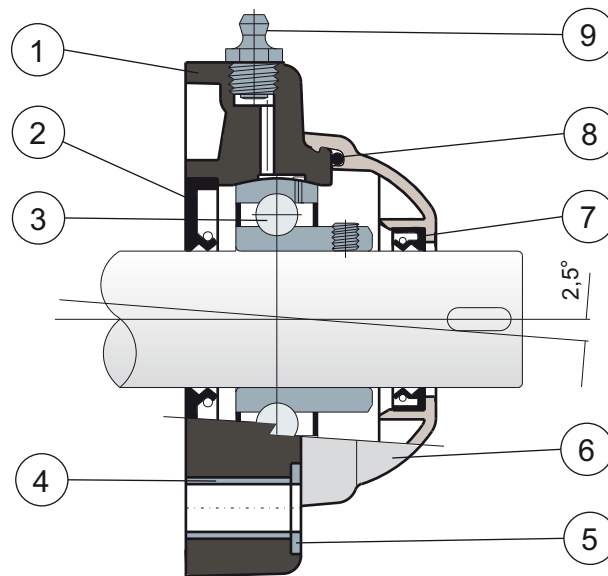


NEW

New product line with support body in PA white colour.



Full protection of bearing



- 1) Support body made out of black or white colour polyamide reinforced with glass fibers.
- 2) Back gasket made out of NBR rubber for turning shaft seal.
- 3) Chrome steel or stainless steel bearing AISI 440C.
- 4) Spacer for fixing reinforcement made out of stainless steel AISI 304.
- 5) UNI 6592 support washer made out of stainless steel AISI 304.
- 6) Protection cover made out of polypropylene (grey colour Ral 7042).
- 7) Front gasket made out of NBR rubber for turning shaft seal.
- 8) OR gasket made out of NBR rubber
- 9) Greaser for relubrication made out of nickel-plated brass.

Support dimensions respect ISO 3228 set of rules

Maximum shaft alignment error 2,5°

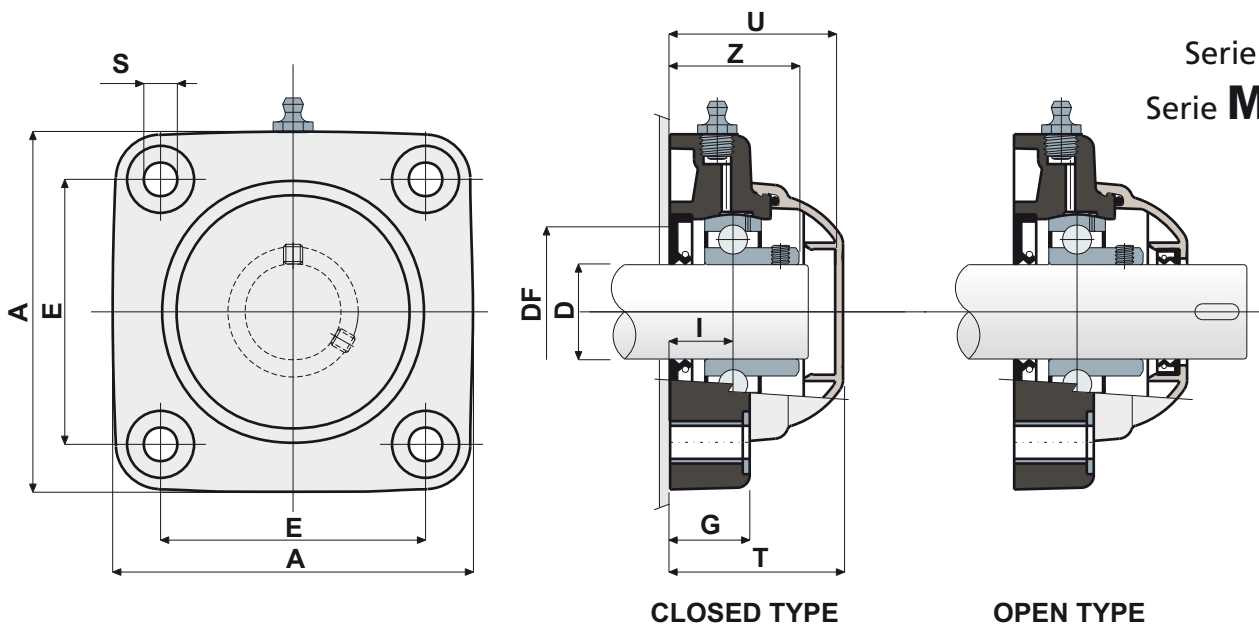
For further information please contact our technical office or sales department.



Square flanged bearing supports

Technical data

Serie **UCF/C**
Serie **MUCF/C**



CHROME STEEL BEARING																			
D	SERIE	CODES				DIMENSIONS (mm)											Bearing load (N)		Bearing support load (N)
		Black colour		White colour		E	A	S	G	I	Z	U	T	DF		C	C0		
		Closed type	Open type	Closed type	Open type									Max	Min				
20	UCF 204 C	80248	80249	84580	84581	63,5	90	10,5	19	15,5	33,5	44	46,5	45	40	12800	6600	16500	
25	UCF 205 C	80057	80060	84582	84583	70	99	10,5	22	17	36	47	49	50	45	14000	7800	17000	
30	UCF 206 C	80009	80005	84584	84585	83	113	10,5	26	20	41	54	56	60	50	19500	11300	17500	
30	MUCF 206 C	84038	84039	84586	84587	83	113	10,5	26	20	41	65	68	60	50	19500	11300	17500	
35	UCF 207 C	80058	80061	84588	84589	92	122	10,5	26	20	45	57	59	70	55	25500	15300	18000	
35	MUCF 207 C	82549	82392	84590	84591	83	113	10,5	26	19,5	45	65	68	70	55	25500	15300	18000	
40	UCF 208 C	80250	80251	84592	84593	102	133	10,5	26	19,5	48,5	65	68	78	65	32500	19800	18000	
40	MUCF 208 C	80697	80699	84594	84595	83	113	10,5	26	19,5	48,5	65	68	78	65	32500	19800	18000	

STAINLESS STEEL BEARING AISI 440C																			
D	SERIE	CODES				DIMENSIONS (mm)											Bearing load (N)		Bearing support load (N)
		Black colour		White colour		E	A	S	G	I	Z	U	T	DF		C	C0		
		Closed type	Open type	Closed type	Open type									Max	Min				
20	UCF 204 C	80400	80448	84596	84597	63,5	90	10,5	19	15,5	33,5	44	46,5	45	40	8300	6550	16500	
25	UCF 205 C	80445	80449	84598	84599	70	99	10,5	22	17	36	47	49	50	45	9150	7800	17000	
30	UCF 206 C	80378	80377	84600	84601	83	113	10,5	26	20	41	54	56	60	50	12500	11200	17500	
30	MUCF 206 C	84040	84041	84602	84603	83	113	10,5	26	20	41	65	68	60	50	12500	11200	17500	
35	UCF 207 C	80446	80450	84604	84605	92	122	10,5	26	20	45	57	59	70	55	16600	15300	18000	
35	MUCF 207 C	83467	83466	84606	84607	83	113	10,5	26	19,5	45	65	68	70	55	16600	15300	18000	
40	UCF 208 C	80447	80451	84608	84609	102	133	10,5	26	19,5	48,5	65	68	78	65	20000	19000	18000	
40	MUCF 208 C	81057	81058	84610	84611	83	113	10,5	26	19,5	48,5	65	68	78	65	20000	19000	18000	

VERSIONS WITH MEASURES IN INCHES

CHROME STEEL BEARING																			
D	SERIE	CODES				DIMENSIONS (mm)											Bearing load (N)		Bearing support load (N)
		Black colour		White colour		E	A	S	G	I	Z	U	T	DF		C	C0		
		Closed type	Open type	Closed type	Open type									Max	Min				
1"	25,4	UCF 205 C	84500	84490	84875	84876	70	99	10,5	22	17	36	47	49	50	45	9150	7800	17000
1 1/4"	31,75	UCF 206 C	84501	84491	84877	84878	83	113	10,5	26	20	41	54	56	60	50	12500	11200	17500
1 1/4"	31,75	MUCF 206 C	84502	84492	-	-	83	113	10,5	26	20	41	65	68	60	50	12500	11200	17500

MATERIALS: Support made of PA + glass fiber black or white colour; chrome steel or stainless steel bearing; greaser made of nickel plated brass; reinforcement bushings and washers made of stainless steel AISI 304; gaskets made of NBR rubber; cover made of polypropylene, grey colour RAL 7042.

FEATURES: Full protection of bearing against external agents. Assembly with not shouldered shafts. Maximum shaft alignment error 2.5°.

BOX QUANTITY: 8 pieces.

ON REQUEST: Versions with body in polypropylene + glass fiber and antibacterial additive; protection cover in different colors and with customized brand; box quantity according to your request; Viton gaskets, "Long life" bearings.



Self-aligning bearings with Solid body: completely closed surface to guarantee the max hygiene.