



Square flanged bearing supports

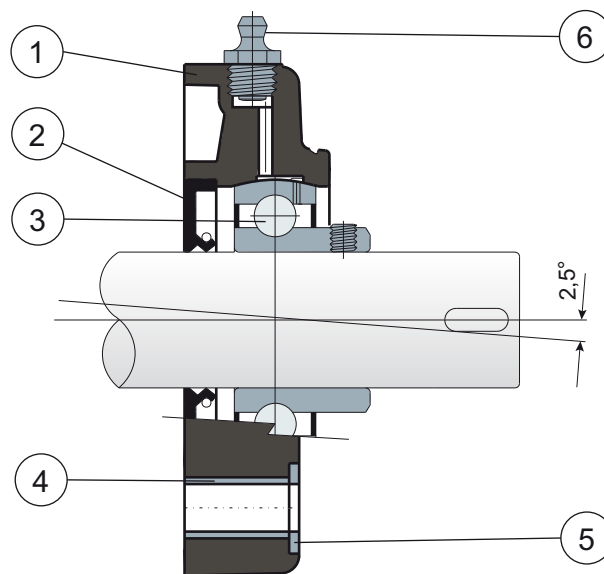
Serie **UCF/CX**
Serie **MUCF/CX**



NEW

New product line with support body in PA white colour.

Without protection cover



- 1) Support body made out of black or white colour polyamide reinforced with glass fibers.
- 2) Back gasket made out of NBR rubber for turning shaft seal.
- 3) Chrome steel or stainless steel bearing AISI 440C.
- 4) Spacer for fixing reinforcement made out of stainless steel AISI 304.
- 5) UNI 6592 support washer made out of stainless steel AISI 304.
- 6) Greaser for relubrication made out of nickel-plated brass.

NOTE: The only difference from UCF/C series is lack of protection cover, which can be ordered separately as an accessory.

Support dimensions respect ISO 3228 set of rules.

Maximum shaft alignment error 2,5°

For further information please contact our technical office or sales department.

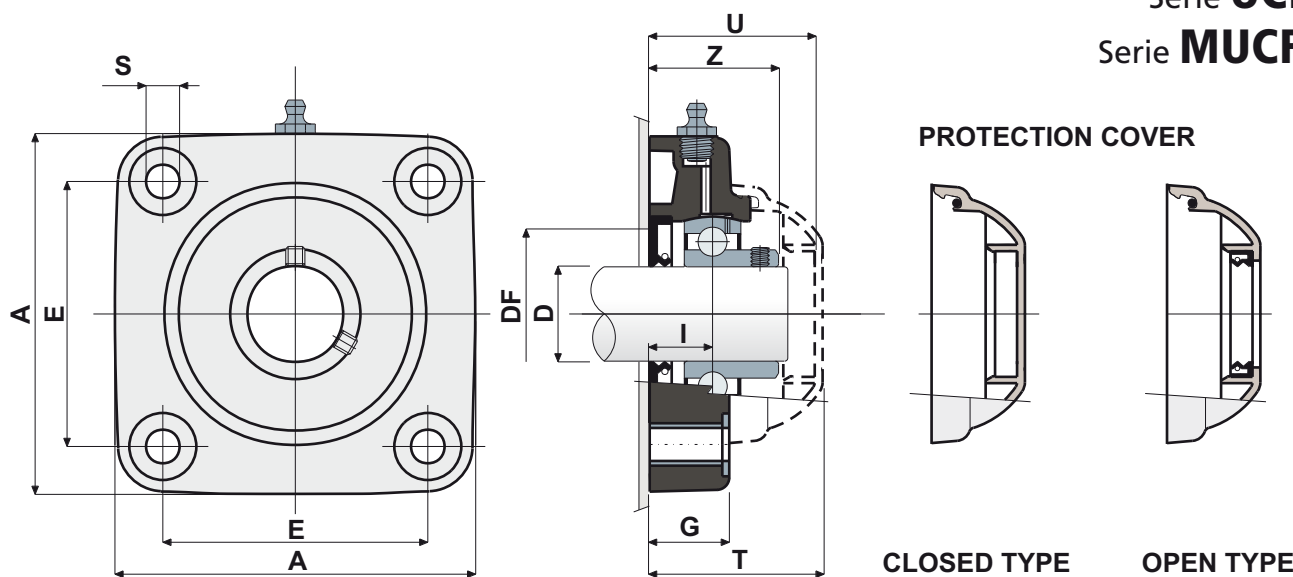


Square flanged bearing supports

Technical data

Serie **UCF/CX**

Serie **MUCF/CX**



CHROME STEEL BEARING																		
D	SERIE	Support CODES		DIMENSIONS (mm)								Bearing load (N)		Bearing support load	COVER CODES			
		Black colour	White colour	E	A	S	G	I	Z	U	T	DF Max	DF Min	C	C0	(N)	Closed type	Open type
20	UCF 204 CX	80252	84612	63,5	90	10,5	19	15,5	33,5	44	46,5	45	40	12800	6600	16500	80254	80255
25	UCF 205 CX	80175	84613	70	99	10,5	22	17	36	47	49	50	45	14000	7800	17000	80075	80076
30	UCF 206 CX	80176	84614	83	113	10,5	26	20	41	54	56	60	50	19500	11300	17500	80011	80053
30	MUCF 206 CX	80789	84615	83	113	10,5	26	20	41	65	68	60	50	19500	11300	17500	80256	80494
35	UCF 207 CX	80177	84616	92	122	10,5	26	20	45	57	59	70	55	25500	15300	18000	80077	80078
35	MUCF 207 CX	83462	84617	83	113	10,5	26	19,5	45	65	68	70	55	25500	15300	18000	80256	80495
40	UCF 208 CX	80253	84618	102	133	10,5	26	19,5	48,5	65	68	78	65	32500	19800	18000	80256	80257
40	MUCF 208 CX	80701	84619	83	113	10,5	26	19,5	48,5	65	68	78	65	32500	19800	18000	80256	80257

STAINLESS STEEL BEARING AISI 440C																		
D	SERIE	Support CODES		DIMENSIONS (mm)								Bearing load (N)		Bearing support load	COVER CODES			
		Black colour	White colour	E	A	S	G	I	Z	U	T	DF Max	DF Min	C	C0	(N)	Closed type	Open type
20	UCF 204 CX	81047	84620	63,5	90	10,5	19	15,5	33,5	44	46,5	45	40	8300	6550	16500	80254	80255
25	UCF 205 CX	81049	84621	70	99	10,5	22	17	36	47	49	50	45	9150	7800	17000	80075	80076
30	UCF 206 CX	81050	84622	83	113	10,5	26	20	41	54	56	60	50	12500	11200	17500	80011	80053
30	MUCF 206 CX	84042	84623	83	113	10,5	26	20	41	65	68	60	50	19500	11300	17500	80256	80494
35	UCF 207 CX	81051	84624	92	122	10,5	26	20	45	57	59	70	55	16600	15300	18000	80077	80078
35	MUCF 207 CX	82404	84625	83	113	10,5	26	19,5	45	65	68	70	55	16600	15300	18000	80256	80495
40	UCF 208 CX	80561	84626	102	133	10,5	26	19,5	48,5	65	68	78	65	20000	19000	18000	80256	80257
40	MUCF 208 CX	81043	84627	83	113	10,5	26	19,5	48,5	65	68	78	65	20000	19000	18000	80256	80257

VERSIONS WITH MEASURES IN INCHES

CHROME STEEL BEARING																			
D (inches)	D (mm)	SERIE	Support CODES		DIMENSIONS (mm)								Bearing load (N)		Bearing support load	COVER CODES			
			Black colour	White colour	E	A	S	G	I	Z	U	T	DF Max	DF Min	C	C0	(N)	Closed type	Open type
1"	25,4	UCF 205 CX	84493	84883	70	99	10,5	22	17	36	47	49	50	45	9150	7800	17000	80075	80076
1" 1/4	31,75	UCF 206 CX	84494	84884	83	113	10,5	26	20	41	54	56	60	50	12500	11200	17500	80011	80053
1" 1/4	31,75	MUCF 206 CX	84495	-	83	113	10,5	26	20	41	65	68	60	19500	11300	17500	80256	80494	

MATERIALS: Support made out of PA + glass fiber black or white colour; chrome steel or stainless steel bearing; greaser made out of nickel plated brass; reinforcement bushings and washers made out of stainless steel AISI 304; gaskets made out of NBR rubber; cover made out of polypropylene, grey colour RAL 7042.

FEATURES: The difference from UCF/C series is lack of protection cover which can be ordered separately as an accessory. Assembly with not shouldered shafts. Maximum shaft alignment error 2.5°.

BOX QUANTITY: 8 pieces.

ON REQUEST: Versions with body in polypropylene + glass fiber and antibacterial additive; protection cover in different colors and with customized brand; box quantity according to your request; Viton gaskets, "Long life" bearings.



Self-aligning bearings with Solid body: completely closed surface to guarantee the max hygiene.