

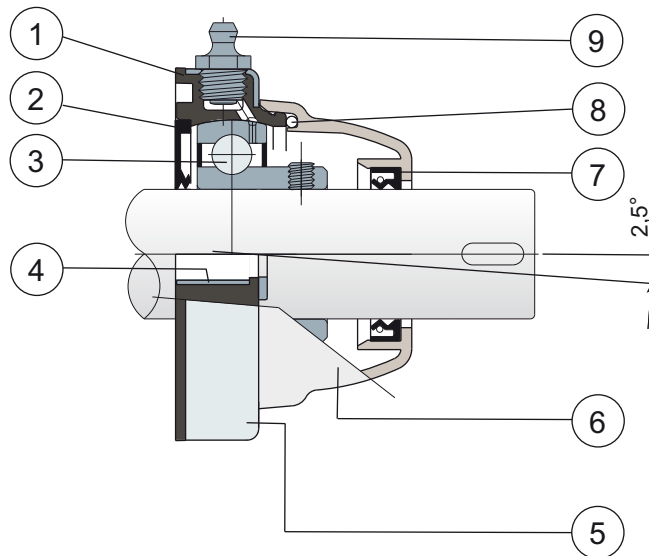


Oval flanged bearing supports

Serie **UCFL/CA**



External cover made out of stainless steel AISI 304



- 1) Internal body of support made out of black colour polypropylene reinforced with glass fibers.
- 2) Back gasket made out of NBR rubber for turning shaft seal.
- 3) Chrome steel or stainless steel bearing AISI 440C.
- 4) Spacer for fixing reinforcement made out of stainless steel AISI 304.
- 5) External cover of support made out of AISI 304 stainless steel.
- 6) Protection cover made out of polypropylene (grey colour Ral 7042).
- 7) Front gasket made out of NBR rubber for turning shaft seal.
- 8) OR gasket made out of NBR rubber
- 9) Greaser for relubrication made out of nickel-plated brass.

Maximum shaft alignment error 2,5°

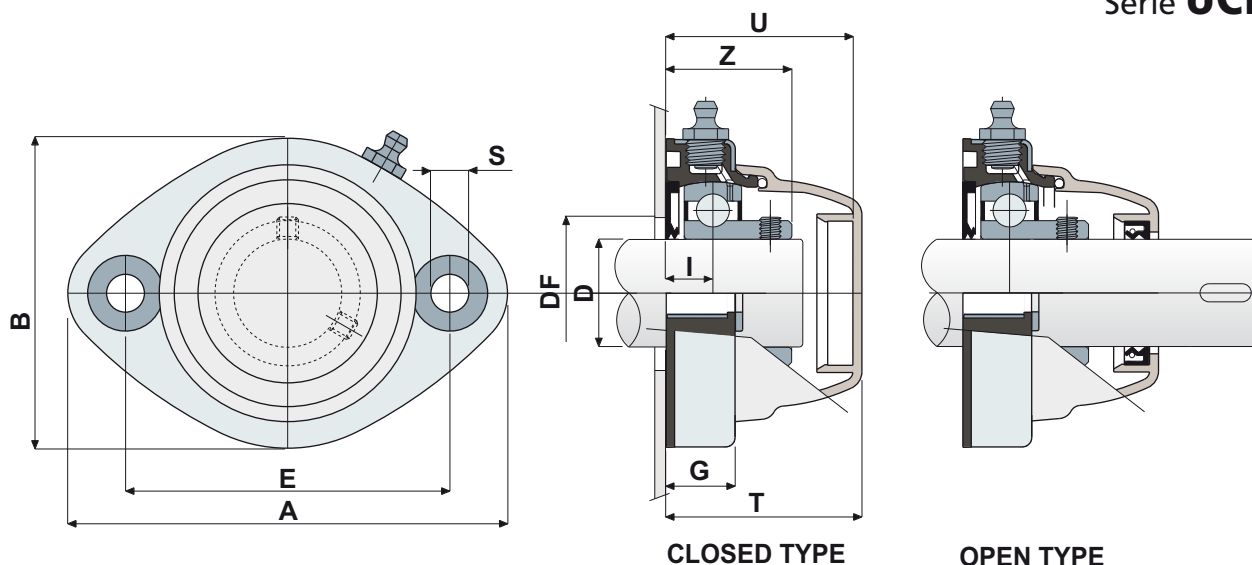
For further information please contact our technical office or sales department.



Oval flanged bearing supports

Technical data

Serie **UCFL/CA**



CHROME STEEL BEARING																	
D	SERIES	CODES		DIMENSIONS (mm)										Bearing load (N)		Bearing support load (N)	
		Closed type	Open type	E	A	B	S	G	I	Z	U	T	DF		C		C0
30	UCFL 206 CA	84021	83999	117	147	112	11	27	21	42	65,5	68	60	50	19500	11300	13000
35	UCFL 207 CA	84022	84000	117	147	112	11	27	20	45,3	65,5	68	70	55	25500	15300	14000
40	UCFL 208 CA	84023	84001	117	147	112	11	27	20	48,5	65,5	68	78	65	30700	19000	15000

STAINLESS STEEL BEARING AISI 440C																	
D	SERIES	CODES		DIMENSIONS (mm)										Bearing load (N)		Bearing support load (N)	
		Closed type	Open type	E	A	B	S	G	I	Z	U	T	DF		C		C0
30	UCFL 206 CA	84024	84002	117	147	112	11	27	21	42	65,5	68	60	50	12500	11200	13000
35	UCFL 207 CA	84006	84003	117	147	112	11	27	20	45,3	65,5	68	70	55	16600	15300	14000
40	UCFL 208 CA	84010	84005	117	147	112	11	27	20	48,5	65,5	68	78	65	20000	19000	15000

MATERIALS: Support made out of PP + glass fiber; external cover of support made out of AISI 304 stainless steel; chrome steel or stainless steel bearing; greaser made out of nickel plated brass; reinforcement bushings made out of AISI 304 stainless steel; gaskets made out of NBR rubber; protection cover made out of polypropylene grey colour RAL 7042.

FEATURES: Full protection of bearing against external agents. Support body made out of polypropylene covered by an AISI 304 stainless steel later, to obtain the maximum chemical resistance to antibacterial detergents used in food processing field. More over this part is moulded without internal cavities in order to obtain the best sanification. Assembly with not shouldered shaft. Maximum shaft alignment error 2.5°.

BOX QUANTITY: 8 pieces.

ON REQUEST: Protection covers in different colors and with customized brand; internal body in reinforced polypropylene white color; box quantity according to your request.



Self-aligning bearings with Solid body: completely closed surface to guarantee the max hygiene.