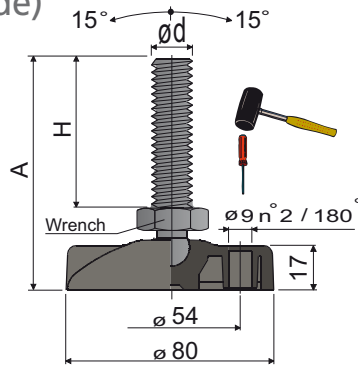


# PA articulated feet

(in reinforced polyamide)



**Ø 80 Part. 25**

Spindle measures in mm				Spindle and base in reinforced polyamide		Max static load (N)
$\varnothing d$	A	H	Wrench	Code		
M16	104	67	24	25 / 7629	7000	
M20	177	140	24	25 / 80162	7500	

Material base and spindle: Reinforced polyamide black colour.

Box quantity: 24 pieces.

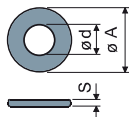
### Accessories

Anti-slip pads:

- code: 7266;
- material: soft PVC 68 shore black colour;
- box quantity: 24 pieces.

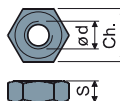


Washers UNI 6592-69 - Box quantity: 24 pieces.



$\varnothing M$	M16	M20
Smm	3	3
$\varnothing A$ mm	30	37
Zinc plated steel codes	7289	7290
Stainless steel codes	7291	7292

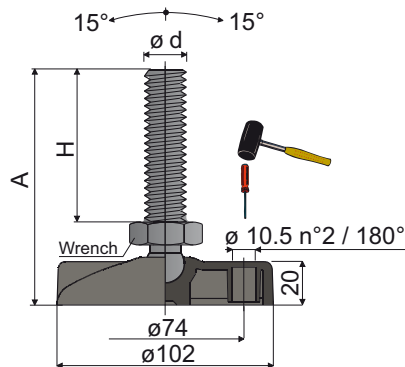
Nuts UNI 5588-65 - Box quantity: 24 pieces.



$\varnothing d$	M16	M20
Smm	13	16
Ch. mm	24	30
Zinc plated steel codes	7275	7276
Stainless steel codes	7277	7278

On request

- Bases: In reinforced polypropylene • other colours.
- Box quantity: Not standard.
- Assembling of: Anti-slip pads • nuts • washers.



**Ø 102 Part. 38**

Spindle measures in mm				Spindle and base in reinforced polyamide		Max static load (N)
$\varnothing d$	A	H	Wrench	Code		
M16	107	67	24	38 / 7630	7000	
M20	180	140	24	38 / 80155	7500	

Material base and spindle: Reinforced polyamide black colour.

Box quantity: 24 pieces.

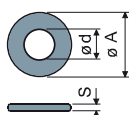
### Accessories

Anti-slip pads:

- code: 7267;
- material: soft PVC 68 shore black colour;
- box quantity: 24 pieces.

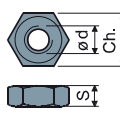


Washers UNI 6592-69 - Box quantity: 24 pieces.



$\varnothing M$	M16	M20
Smm	3	3
$\varnothing A$ mm	30	37
Zinc plated steel codes	7289	7290
Stainless steel codes	7291	7292

Nuts UNI 5588-65 - Box quantity: 24 pieces.



$\varnothing d$	M16	M20
Smm	13	16
Ch. mm	24	30
Zinc plated steel codes	7275	7276
Stainless steel codes	7277	7278

On request

- Bases: In reinforced polypropylene • other colours.
- Box quantity: Not standard.
- Assembling of: Anti-slip pads • nuts • washers.