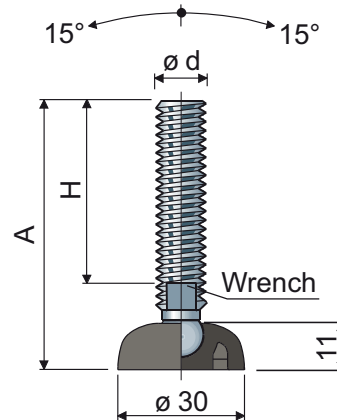


# Articulated feet

(base in reinforced polyamide)

Ø 30 Part. 118



Spindle measures in mm						
Ød	A	H	Wrench	Spindle in zinc plated steel Code	Spindle in stainless steel AISI 304 Code	Max static load (N)
M8	65	45	6	118 / 84270	118 / 84271	10000
	85	65	6	118 / 84272	118 / 84273	
M10	57	35	8	118 / 84274	118 / 84275	11000
	92	70	8	118 / 84276	118 / 84277	
	137	115	8	118 / 84278	118 / 84279	
M12	68	43	10	118 / 84280	118 / 84281	12000
	88	63	10	118 / 84282	118 / 84283	
	102	77	10	118 / 84284	118 / 84285	
	118	93	10	118 / 84286	118 / 84287	
	148	123	10	118 / 84288	118 / 84289	

Base material: Reinforced polyamide black colour.

Box quantity: 24 pieces.

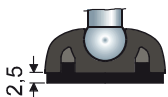
### Accessories

Anti-slip pads:

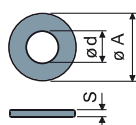
- code: 84290;

- material: soft PVC 68 shore black colour;

- box quantity: 24 pieces.

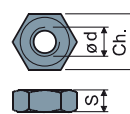


**Washers** UNI 6592-69 - Box quantity: 24 pieces.



Ø M	M8	M10	M12
Smm	1,6	2	2,5
Ø A mm	17	21	24
Zinc plated steel codes	7636	7283	7284
Stainless steel codes	7637	7286	7287

**Nuts** UNI 5588-65 - Box quantity: 24 pieces.



Ø d	M8	M10	M12
Smm	6,5	8	10
Ch. mm	13	17	19
Zinc plated steel codes	7634	7269	7270
Stainless steel codes	7635	7272	7273

### On request

- Bases: In reinforced polypropylene • other colours.
- Spindles with: Sunk hexagon head • second wrench seat head • hexagon wrench seat • threads with other pitches and lengths.
- Box quantity: Not standard.
- Assembling of: Anti-slip pads • nuts • washers.