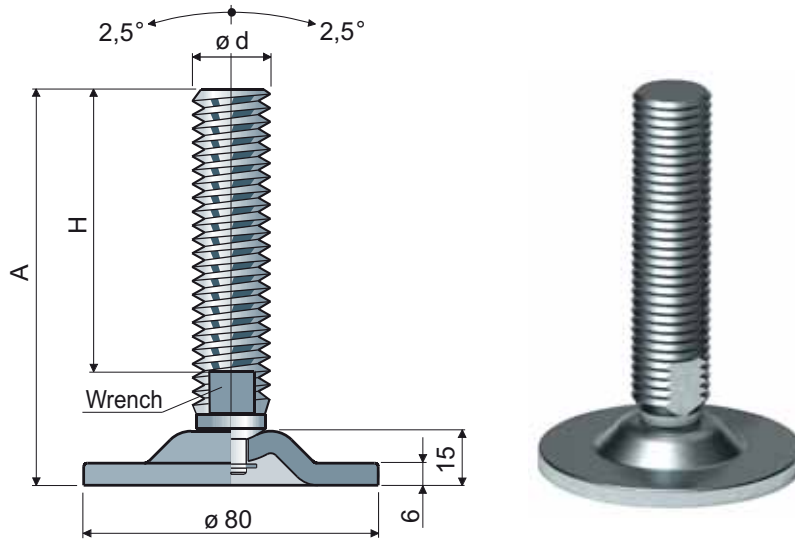


Adjustable feet

(base in steel)

Ø 80 Part. 81

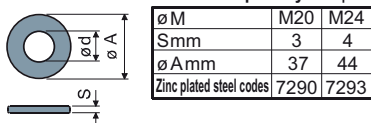


Spindle measures in mm				Spindle and base in zinc plated steel		Max static load (N)
$\varnothing d$	A	H	Wrench	Code		
M20	120	87	17	81 / 80786	40000	
M24	120	85	19	81 / 80214		

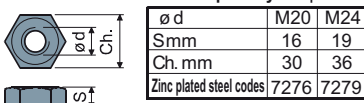
Material: Base and spindle in zinc-plated steel.

Box quantity: 8 pieces.

Washers UNI 6592-69 - Box quantity: 24 pieces.



Nuts UNI 5588-65 - Box quantity: 24 pieces.



On request

- Spindles with: Sunk hexagon head • second wrench seat head • hexagon wrench seat • threads with other pitches and lengths.
- Box quantity: Not standard.
- Assembling of: Nuts • washers.