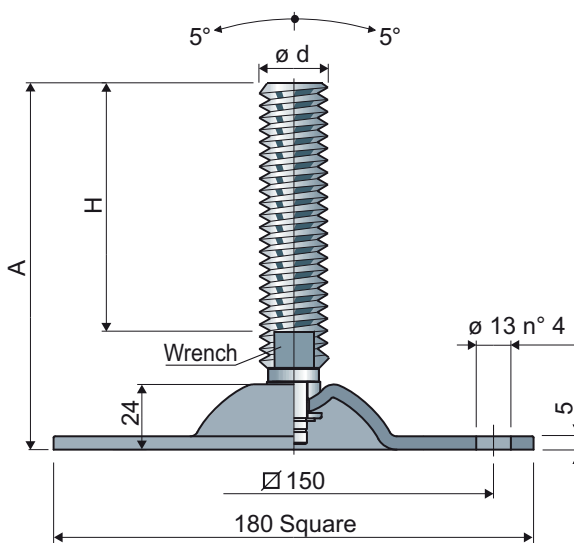


Adjustable feet

(base in zinc plated steel)

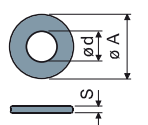
Part. **94** \square **180**



Spindle measures in mm				Spindle and base in zinc plated steel Code	Max static load (N)
$\varnothing d$	A	H	Wrench		
M16	100	57	13	94 / 82968	45000
	161	118	13	94 / 82970	
	187	144	13	94 / 82972	
	243	200	13	94 / 82974	
M18	199	157	15	94 / 82976	46000
	152	107	17	94 / 82978	
	181	136	17	94 / 82980	
M20	202	157	17	94 / 82982	47000
	235	190	17	94 / 82984	
	283	238	17	94 / 83262	
	138	90	19	94 / 82986	
M24	175	127	19	94 / 82988	48000
	210	162	19	94 / 82990	
	250	202	19	94 / 83264	
M30	173	125	24	94 / 82992	49000
	233	185	24	94 / 82994	

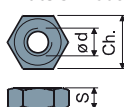
Box quantity: 8 pieces.

Washers UNI 6592-69 - Box quantity: 24 pieces.



$\varnothing M$	M16	M20	M24	M30
Smm	3	3	4	4
$\varnothing A$ mm	30	37	44	56
Zinc plated steel codes	7289	7290	7293	7295

Nuts UNI 5588-65 - Box quantity: 24 pieces.



$\varnothing d$	M16	M20	M24	M30
Smm	13	16	19	24
Ch. mm	24	30	36	46
Zinc plated steel codes	7275	7276	7279	7281

On request

- Spindles with: Sunk hexagon head • second wrench seat head • hexagon wrench seat • threads with other pitches and lengths.
- Box quantity: Not standard.
- Assembling of: Nuts • washers.