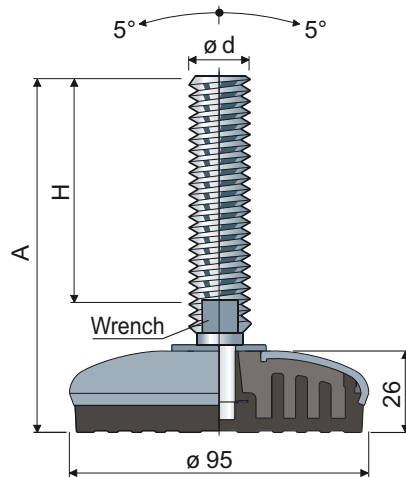


Adjustable feet, sanitizable

(base in stainless steel)

Ø 95 Part. 103



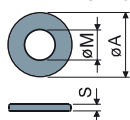
Spindle measures in mm				Spindle and base in stainless steel AISI 304		Max static load (N)
ød	A	H	Wrench	Code		
M12	109	70	10	103 / 83043	17000	
M14	148	108	12	103 / 83052		
	102	58	13	103 / 83053		
	163	119	13	103 / 83054		
	189	145	13	103 / 83055		
M16	245	201	13	103 / 83056		
	M18	201	157	15		103 / 83057
	153	107	17	103 / 83058		
M20	181	135	17	103 / 83059		27000
	203	157	17	103 / 83060		
	236	190	17	103 / 83061		
	284	238	17	103 / 83062		
M24	139	90	19	103 / 83063		
	176	127	19	103 / 83064		
	211	162	19	103 / 83065		
	250	201	19	103 / 83066		
M30	174	125	24	103 / 83067		
	234	185	24	103 / 83068		

Material: Internal part made of reinforced polyamide; external covering made of stainless steel AISI 304; anti-slip pad made of soft PVC 68 shore black colour.

Box quantity: 8 pieces.

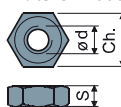
Features: Comoulded anti-slip pad allows a perfect adherence with steel base. Consequent absence of internal cavities makes foot extremely cleanable.

Washers UNI 6592-69 - Box quantity: 24 pieces.



øM	M12	M14	M16	M20	M24	M30
Smm	2,5	2,5	3	3	4	4
øAmm	24	28	30	37	44	56
Stainless steel codes	7287	7288	7291	7292	7294	7296

Nuts UNI 5588-65 - Box quantity: 24 pieces.



ød	M12	M14	M16	M20	M24	M30
Smm	10	11	13	16	19	24
Ch. mm	19	22	24	30	36	46
Stainless steel codes	7273	7274	7277	7278	7280	7282

On request

- Spindles with: Sunk hexagon head • second wrench seat head • hexagon wrench seat • threads with other pitches and lengths.
- Anti-slip pads: White color.
- Box quantity: Not standard.
- Assembling of: Nuts • washers.