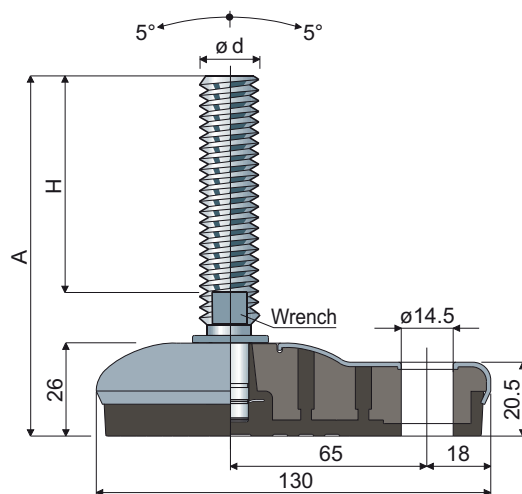


Adjustable feet, sanitizable with side fixing system

(base in stainless steel)

95x130 Part. 112



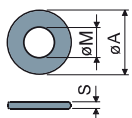
Spindle measures in mm				Spindle and base in stainless steel AISI 304		
ϕd	A	H	Wrench	Code	Max static load (N)	
M12	111	70	10	112 / 83744	17000	
M14	150	108	12	112 / 83745		
M16	103	58	13	112 / 83746		
	164	119	13	112 / 83747		
	190	145	13	112 / 83748		
	246	201	13	112 / 83749		
M18	203	157	15	112 / 83750		
	154	107	17	112 / 83751		
	182	135	17	112 / 83752		
M20	204	157	17	112 / 83753		27000
	237	190	17	112 / 83754		
	285	238	17	112 / 83755		
	141	90	19	112 / 83756		
M24	178	127	19	112 / 83757		
	213	162	19	112 / 83758		
	252	201	19	112 / 83759		
	176	125	24	112 / 83760		
M30	236	185	24	112 / 83761		

Material: Internal part made of reinforced polyamide; external covering made of stainless steel AISI 304; anti-slip pad made of soft PVC 68 shore black colour.

Box quantity: 8 pieces.

Features: Comoulded anti-slip pad allows a perfect adherence with steel base. Consequent absence of internal cavities makes foot extremely cleanable.

Washers UNI 6592-69 - Box quantity: 24 pieces.



ϕM	M12	M14	M16	M20	M24	M30
Smm	2,5	2,5	3	3	4	4
ϕA mm	24	28	30	37	44	56
Stainless steel codes	7287	7288	7291	7292	7294	7296

Nuts UNI 5588-65 - Box quantity: 24 pieces.



ϕd	M12	M14	M16	M20	M24	M30
Smm	10	11	13	16	19	24
Ch. mm	19	22	24	30	36	46
Stainless steel codes	7273	7274	7277	7278	7280	7282

On request

- Spindles with: Sunk hexagon head • second wrench seat head • hexagon wrench seat • threads with other pitches and lengths.
- Anti-slip pads: White color.
- Box quantity: Not standard.
- Assembling of: Nuts • washers.