

DOMES PRESSURE REGULATOR 767 LE



Powerful and service reduced Dome Pressure Regulator applicable for mounting in pipe-works.

Benefits

- process reliability by high pressure stability in case of withdrawal fluctuations
- **Pilot Control Tube (PCT)** for particularly high constant outlet pressure
- applicable for almost all gases
- accurate dynamic regulation
- high flow rate
- integrated pilot pressure and manometer connections
- remote control by extern pilot pressure regulator or proportional valve
- several gas supply can be central regulated to the same working pressure
- **Balanced Seat Design (BSD)** for better control precision

Options

- mounted pilot pressure regulator
- inlet- and outlet pressure manometer with individual scale
- inlet- and outlet connections (soldering-, welding- or clamp fittings)
- complete mounted with functional- and leak test

Operation / Usage

Dome pressure regulator are especially suitable for process supply in pipe-works and system engineering.

Independent of withdrawal fluctuations the stability working pressure guarantees a constant gas concentration and quality of the down stream processes.

Additionally the use in case of high flow rates at low pressure drops is recommended.

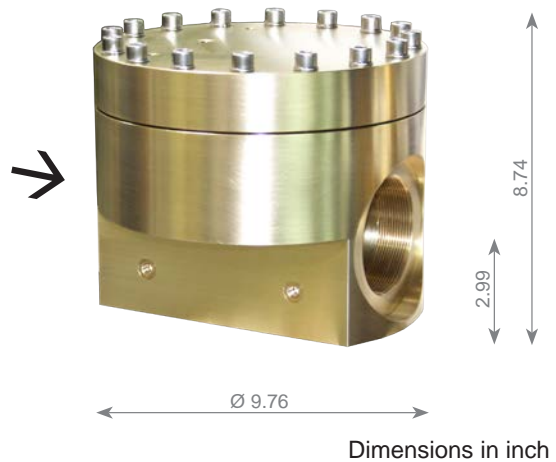
Function

The dome pressure regulator is used in combination with pilot pressure regulator (or proportional valve) for adjusting the required working pressure (outlet pressure).

It's possible to use the regulated gas (own medium) or foreign gas as supply of pilot pressure regulator by option.

Maintenance

Annual testing of body leak tightness is recommended. Replace wearing parts of at least 1-3 years. Premounted Maintenance-Kit on request. For more pressure regulator visit www.wittgas.com



Approvals

Company certified according to ISO 9001, ISO 22000 and PED 97/23/EC Module H

Other models, options and accessories available upon request.

	Model	
	767 LE	
max. inlet pressure	CO ₂	363 PSIG*
	O ₂	435 PSIG*
	other gases	580 PSIG*
max. pilot pressure	435 PSIG*	
outlet pressure	7.25 - 435 PSIG*	
Kv-Value	30	
Inlet	G 3 F	
Outlet	G 3 F	
Pilot pressure	G 1/8 F	
Manometer	G 1/8 F	
Housing	Brass	
Cartridge	Stainless steel (1.4305)	
Membrane	CR	
Spring	Stainless steel (1.4310)	
Weight approx.	99 lb	
Order-No.	278-090	

* PSIG = pounds per square inch gauge

DOMESTIC PRESSURE REGULATOR 767 LE/S

Complete solution - own medium controlled



Benefits

- complete mounted, inclusive pressure gauge, pilot pressure regulator and fittings
- anytime changeable working pressure (readjustable) – e.g. at fluctuation of temperature
- provides constant working pressure by dynamic control
- no disperse of pilot gas to the environment – closed system
- pressure gauges optionally in stainless steel and/or filled with glycerine
- indoor and outdoor installation
- connection for wall mounting panel
- easy installation and removing
- inlet-/outlet fitting with flange DN 80 or DN 100, PN 16/40, DIN 2656 with O-ring 88.5x3 mm

Options

- control via electrical proportional valve
- piloting by foreign gas available
- filter

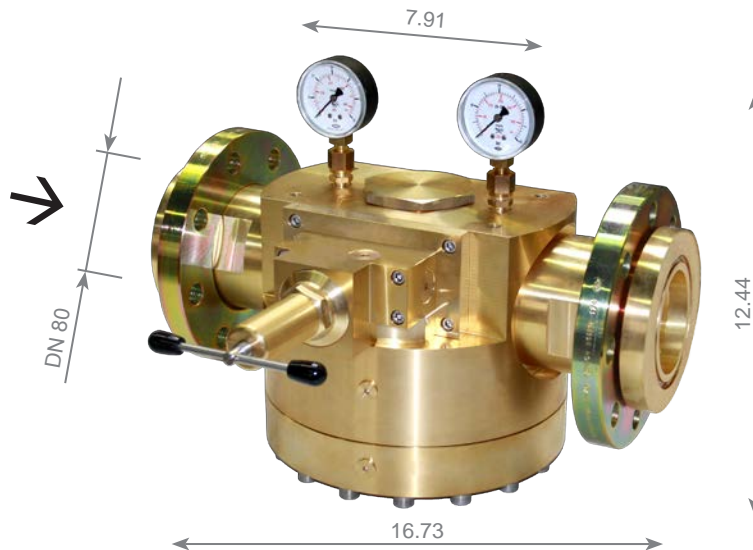
Operation / Usage

Own medium controlled pressure regulator with dome pressure regulator for mounting in pipe-works.

Function

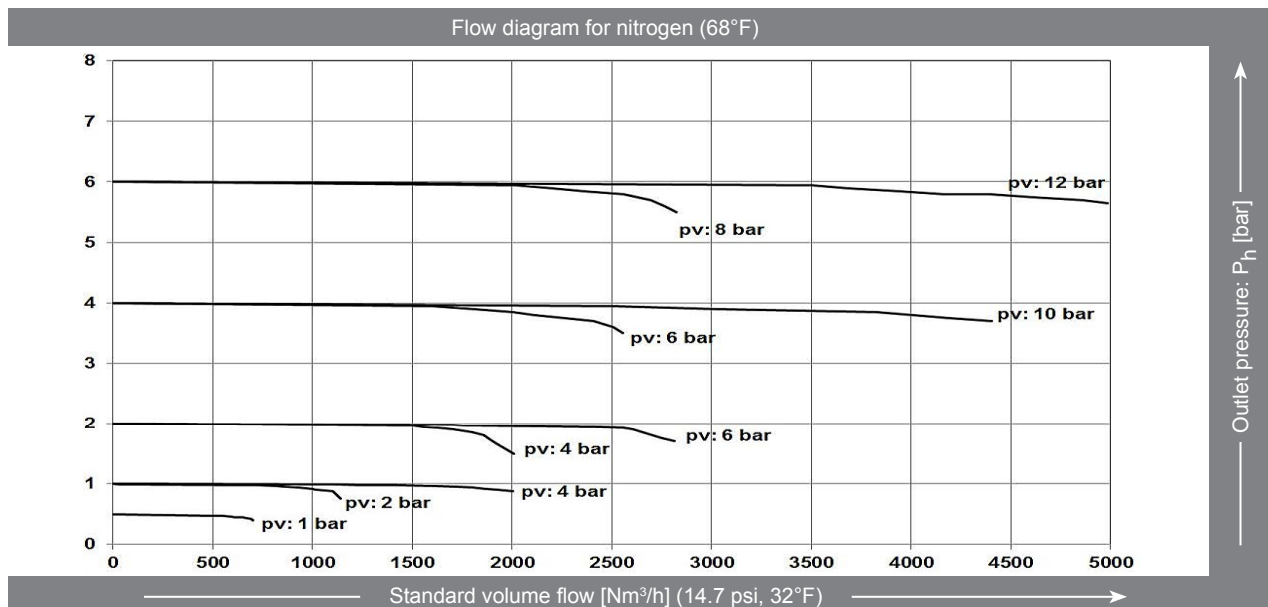
The dome pressure regulator is used in combination with pilot pressure regulator for adjusting the required working pressure (outlet pressure).

The controlled gas (own medium) is used for the supply of pilot pressure regulator (re-controllable, closed system) by pilot gas.



Dimensions in inch

767 LE/S



For more pressure regulator visit www.wittgas.com