

SAFETY RELIEF VALVE AV815

Spring loaded, direct acting safety relief valve for acetylene. To be used in conjunction with manifold pressure regulator according to DIN EN ISO 7291.

Benefits

- 7 different opening pressures and nominal flows available
- TÜV-certification of pressure setting
- may be mounted in any position / orientation
- compact size for easy, problem free installation
- protective dust cap
- adapter for connection to ventilation pipe
- material according to 3.1 EN 10204
- BAM test report Tgb.-Nr.4806/98; II-3737

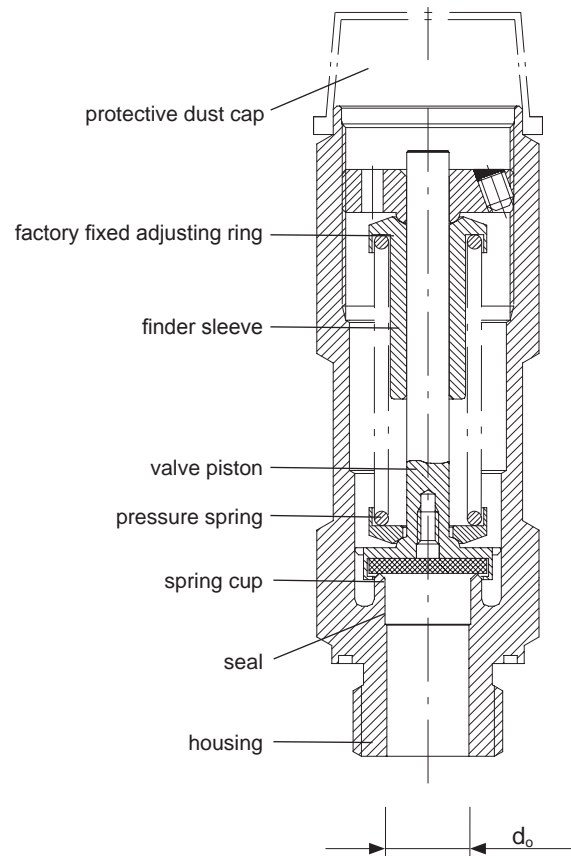
Approvals

Company certified according to ISO 9001 and PED 97/23/EC Module H

Other models, options and accessories available on request.



	AV815
Opening pressure	see table
Gases	acetylene
Material	housing and metal turned parts made of brass, pressure spring made of stainless steel, valve seal EPDM
Width across flats	27 mm
Weight	approx. 260 g
Inlet	G 1/2 male with O-ring
Outlet	M24 x 1 female
Drill hole (d ₀)	11.5 mm
Temperature range	-40 °C/-40 °F up to approx. +80 °C/+176 °F
Overall length	91 mm
Adapter	for connection to ventilation pipe at the outlet



AV815

Max. outlet pressure at regulator / operating pressure [bar]	Blow-off flow = Q_{RV} acetylene [m ³ /h]	Factory set opening pressure [bar]	Order-No.
0.6	50	0.75	200-277
0.7	60	0.95	200-353
0.8	65	1.25	200-354
0.9	70	1.25	200-355
1.1	72	1.55	200-356
1.5	75	1.90	200-278
2.0	90	2.50	200-279

Adapter for connection to ventilation pipe at the outlet

Version	Adapter with O-ring seal	Order-No.
Brass	M24 x 1 M - 1/2" NPT F	801413600K
	M24 x 1 M - 3/4" NPT F	802124900K
	M24 x 1 M - G 1/2 M with cone	802069800K

Example for dimensioning according to DIN EN ISO 7291:

nominal gas flow of pressure regulator

$$Q_1 = 150 \text{ m}^3/\text{h}$$

required blow-off flow for AV815

$$Q_{RV} = 0.5 \times Q_1 = 75 \text{ m}^3/\text{h}$$

max. outlet pressure at regulator / operating pressure

1.5 bar

➔ selection AV815 with order-no. 200.278 opening pressure 1.9 bar