

C763

Sanitary Ball Valve

Material: 316 stainless steel

Thread Size: 1/2"

Thread Type: NPT threads

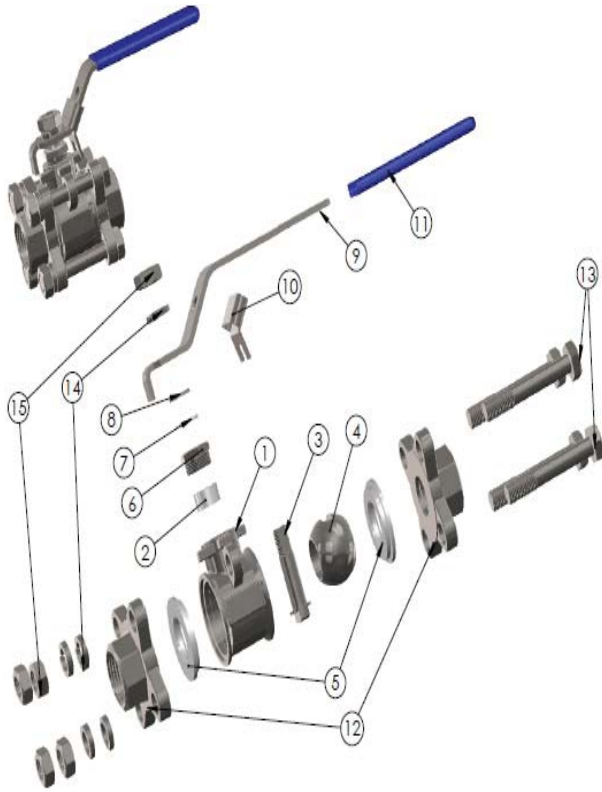
Weight : 440.75 grams

Features:

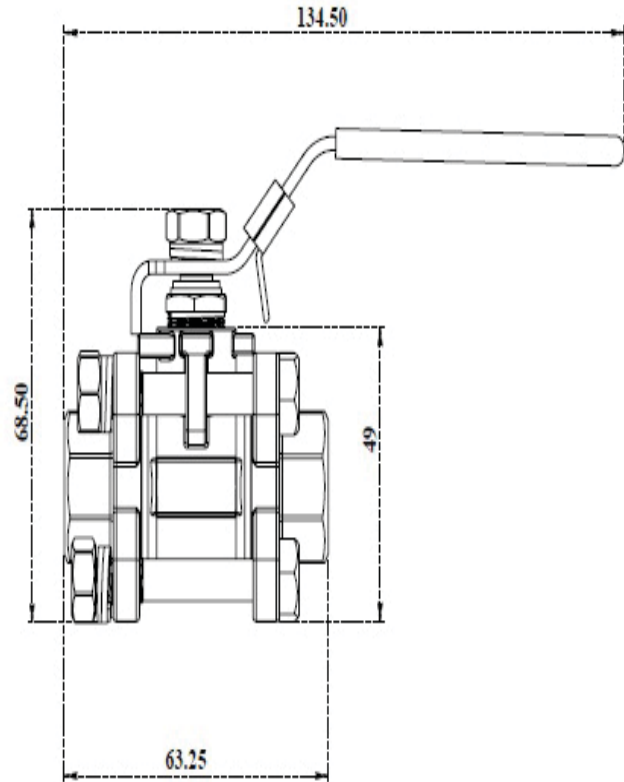
- *Sanitary Ball Valves are easy to take apart and clean.
- *The seals are made of Teflon to resist high temperatures.
- *Comes with a locking handle to prevent accidental opening.
- *The Blue handle and stainless steel construction are a clean look to any application.



Exploded View



Line Drawing



Part List

ITEM NO.	PART NO.	DESCRIPTION	QTY
1	C763.01	Sanitary Ball Valve Body	1
2	C763.02	Stem Packing	1
3	C763.03	Stem	1
4	C763.04	Ball	1
5	C763.05	Seat	2
6	C763.06	Stop Nut	1
7	C763.07	NBR Washel	1
8	C763.08	PP Copolymer Washel	1
9	C763.09	Handel	1
10	C763.10	Handel Lock	1
11	C763.11	Handel Cover	1
12	C763.12	Cap	2
13	C763.13	Bolt	4
14	C763.14	Spring washer	5
15	C763.15	Nut	5

Product Specification subject to change without notice
 Any act of copying distributing or disclosing of the datasheet
 Will be liable against policy of pacific merchants

Phno-0181-2600009
 Fax - 0181-2602130
www.kromedispense.co.in

If you have any other technical question about this product please email us at: info@kromedispense.com

Pacific Merchants, D-74, Focal Point extn, Jalandhar-144004,Punjab,India