

STSS STATIONARY STAND

JOB NAME: _____

ITEM NO.: _____

NO. REQUIRED: _____

MODELS

- STSS / Part No. 92-1015

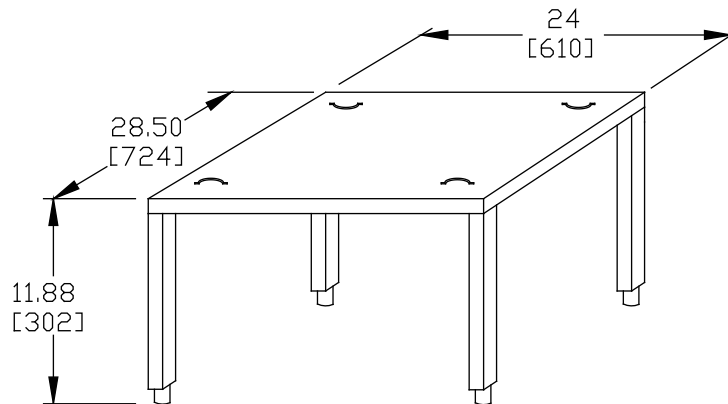
DESCRIPTION

The STSS 12" Stand is constructed of stainless steel with all welded construction. The stand is supplied with adjustable feet. Unit shall be used for 6- and 8-pan steamers.

Unit comes assembled. Top is fitted with four (4) foot clips for placement of Altair II or Sirius II steamer. Foot clips position the steamer and keep the steamer from moving on the top of the stand. Standard features include, rigid all stainless steel construction, welded construction, shipped assembled, and foot clips on top surface for unit placement.



CHARACTERISTICS:	92-1015
Overall Width	24" (610mm)
Overall Depth	28.5" (724mm)
Overall Height + Legs	12" (305mm)



FOOD SERVICE EQUIPMENT
STSS Stationary Stand



The manufacturer reserves the right to modify materials and specifications without notice.

PRINTED IN U. S. A.
SPEC SHEET: 14-0493 Rev A (10/14)



MARKET FORGE
INDUSTRIES INC.



44 Lakeside Avenue, Burlington, VT 05401 USA • Tel: (802) 658-6600 • Fax: (802) 864-0183
www.mfii.com