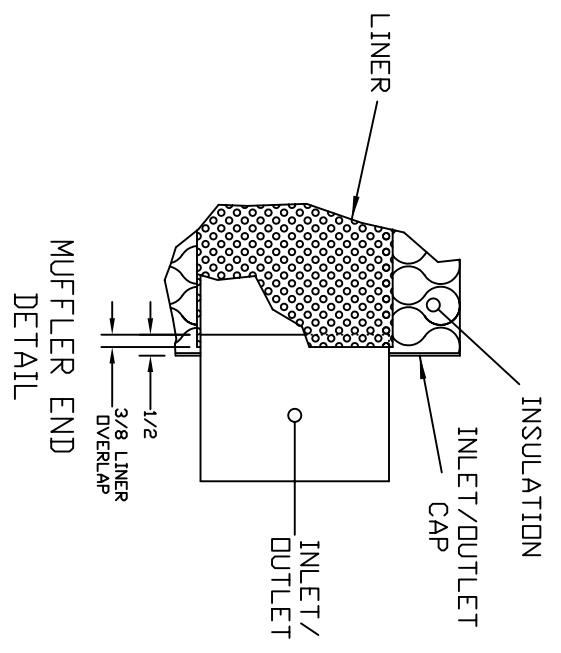
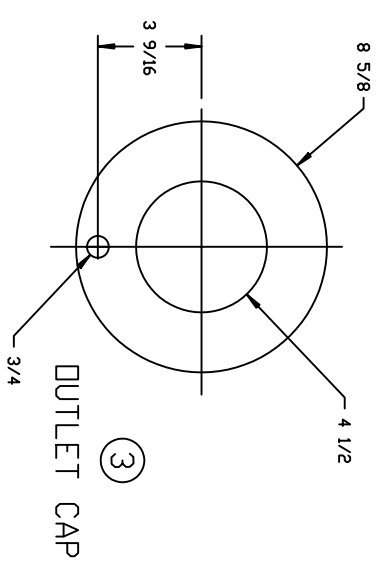
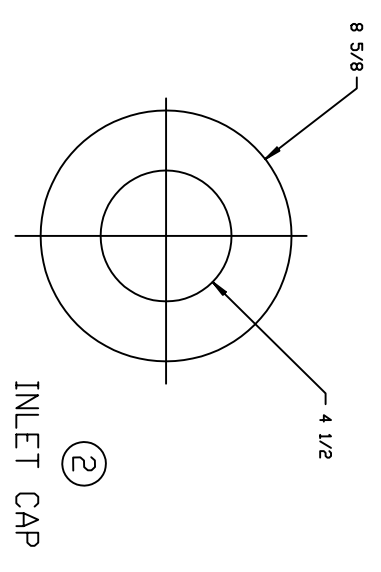
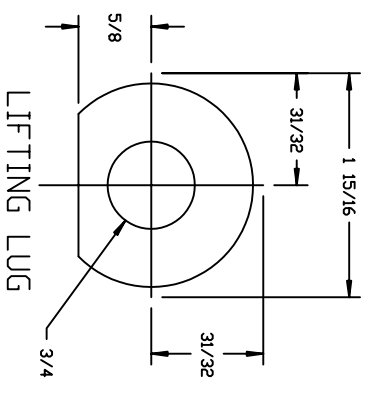
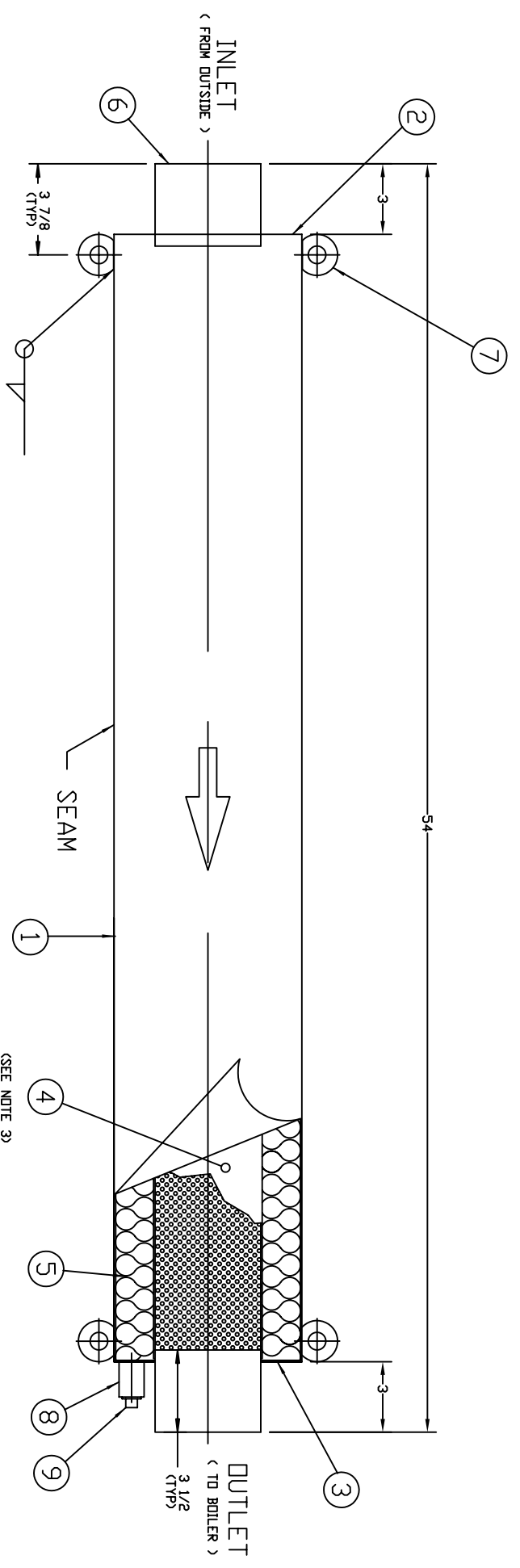


REV.	DESCRIPTION	CHECKED / DATE	APPROVAL / DATE
B	ADDED MUFFLER END DETAIL / SDR 7-21-04		



ITEM	COMPONENT P/N	DESCRIPTION	QTY
1	5-10-002760	JACKET, 8 5/8"OD TUBING X 1.25 WALL X 48"LG	1 EA.
2	5-10-002762	MUFFLER INLET CAP 8 5/8" OD X 4 1/2" ID	1 EA.
3	5-10-002766	MUFFLER OUTLET CAP 8 5/8" OD X 4 1/2" ID	1 EA.
4	5-10-002764	MUFFLER LINER 4 1/2" ID X 48" LG PERFLUM	1 EA.
5	2-12-000119	MUFFLER INSULATION 4" X 2'	4 FT.
6	5-10-002761	MUFFLER INLET/OUTLET 4 1/2" OD X 3 1/2" LG	2 EA.
7	5-10-002753	MUFFLER LIFTING LUGS	4 EA.
8	2-35-000251	1/2 HALF COUPLING	1 EA.
9	2-35-000240	1/2 PLUG	1 EA.



- NOTES:
1. FINISH: TO BE BLACK.
  2. SILENCER IS DESIGNED TO SUPPORT DOWN WEIGHT ONLY.
  3. ALUMINUM LINER IS MADE OUT OF 2 PIECES, ONE 12 1/2" LONG, THE OTHER 36" LONG. EACH PIECE IS POP RIVETED AT THE ENDS AND THEN POP RIVETED TOGETHER IN 3 PLACES.

SIDE VIEW

TOLERANCE: ± 1/8

UNLESS OTHERWISE SPECIFIED:  
 DIMENSIONS ARE IN INCHES  
 FRACTIONS ± 1/4  
 TYP PLACE DECIMALS ± .01  
 THREE PLACE DECIMALS ± .005  
 ANGLES ± 2 DEG.  
 SURFACE FINISH 250 MICRONS

The design and details are proprietary and are the exclusive property of the Fulton Corporation. The corporation does not permit their use except with prior written consent.



The Fulton Corporation  
 9961 Port Street, Box 257  
 Pulaski, New York, USA 13142

PULSE BOILERS  
 INTAKE MUFFLER  
 ASSEMBLY DRAWING

DESIGNED BY: N RILEY  
 DATE: 11/16/99

DRAWN BY: D.A.B.  
 DATE: 12/6/99

APPROVED BY: R.C.K.  
 DATE: 12/6/99

SHEET NO. 1 OF 1