

# ACU-SERT™ INSERTER

CI-250



# ACU-SERT™ INSERTER

## CI-250

### TECHNICAL SPECIFICATION

Solid Models & Videos Available Online

The AZCO ACU-SERT™ Inserter CI-250 will automatically feed, cut, and dispense sheets for your application. With an optional eye registration system, the unit will cut registered sheets without the need of a printed eye mark. The use of material in roll form will save approximately 20% on the cost of the material compared to pre-cut sheets. Utilizing rolls also reduces labor costs and eliminates operator error. One roll can hold over 30,000 insertions and there is no need to continuously load a magazine, as done with pre-cut sheets.

The inserter feeds and cuts pads, liners, instruction sheets or any flexible material up to 250 mm/9" wide. Overwrapped coupons and leaflet pouches may also be fed from a fan-folded web.

This unit can be a master or a slave to an existing line. Simple to use and integrate just plug directly into a 110 V AC or 220 V AC. A sensor will trigger when to dispense.

### BENEFITS

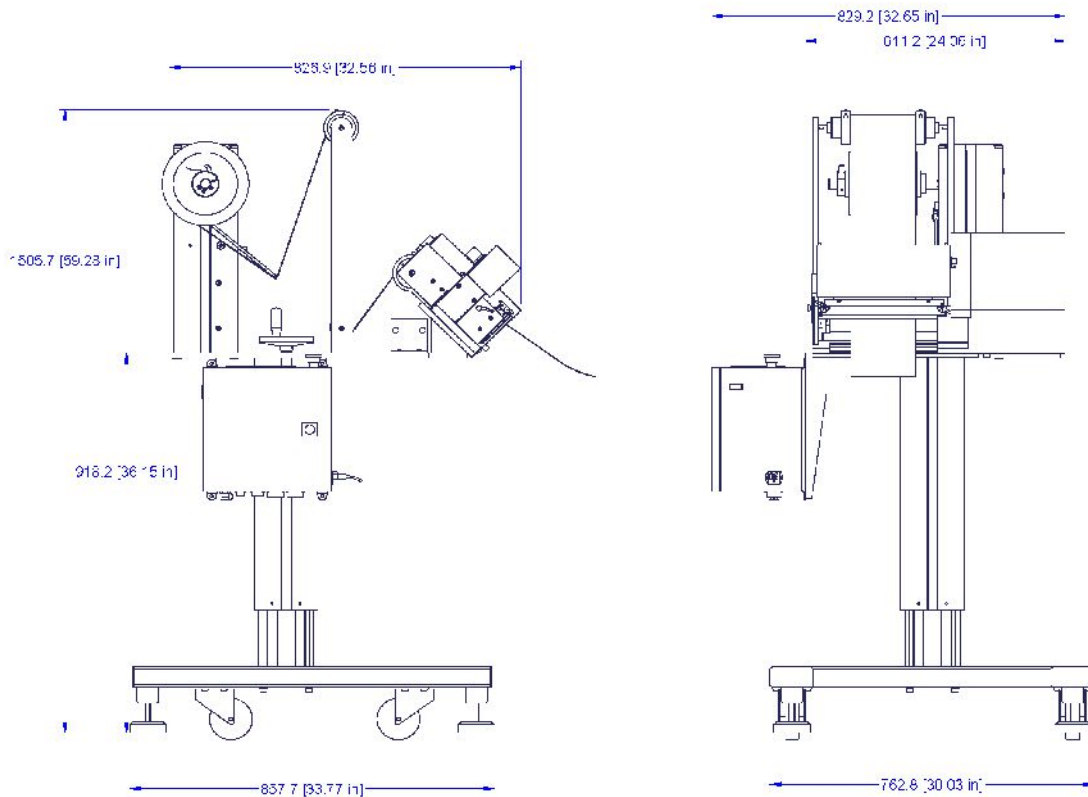
- Easy to mount over or alongside a production line
- Easy setup from a color touchscreen
- Adjustable outfeed angle
- Eliminates the need to place sheets by hand
- High productivity; up to 300 inserts per minute
- Low maintenance sealed bearings, rotary knife cartridge

### SPECIFICATIONS

- Power requirements: 110 V AC or 220 V AC, 10 amps
- 30 - 90 psi (2 - 6 bar) compressed air
- Maximum rate: 300 cuts per minute at 76 mm/3"
- Shipping weight: 68 kg/150 lb
- Accuracy: +/- 0.38 mm/0.015" or 0.1% of cut length (whichever is larger)

### OPTIONS

- No-product sensor
- Portable adjustable height base (shown below)
- Folding system



#### WARNING:

EQUIPMENT MUST BE GUARDED IN ACCORDANCE WITH ALL FEDERAL, STATE, AND LOCAL REQUIREMENTS



visit us online!



FOR ALL YOUR FEEDING AND CUTTING NEEDS

26 Just Road, Fairfield, NJ, 07004 | 973-439-1428 | [azcocorp.com](http://azcocorp.com)