

OMEGA-FLO® 3-WAY DIRECT ACTING SOLENOID VALVES

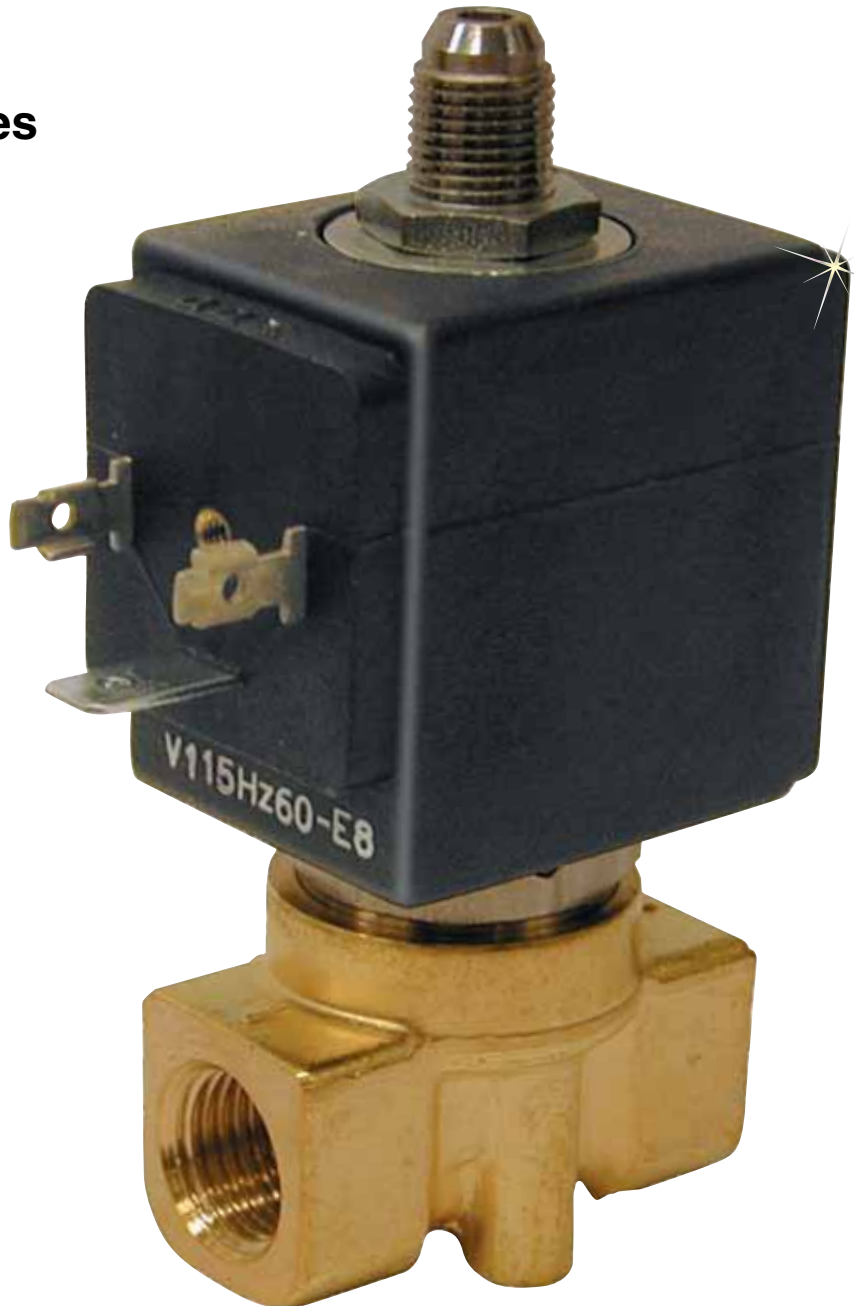
SV4100/SV4300 Series



- ✓ Ideal for Compressed Air, Inert gas, Water and Synthetic Oils
- ✓ 120 Vac Standard (220 Vac and DC Coils are Optional)
- ✓ 8 W, AC Coils Standard
- ✓ 8 W, DC Coils Available
- ✓ Normally Open or Normally Closed Models

The SV4100 and SV4300 Series are direct acting solenoid valves. The valves have a brass body with brass and stainless steel wetted parts and a FKM seal material. A temperature range of -10 to 137°C (14 to 280°F) makes this valve ideal for neutral media such as compressed air, inert gas, water and synthetic oils.

A strain-relief connector is supplied with each unit. A ½" conduit plug is also available.



SV4101 shown larger than actual size.

SPECIFICATIONS

Mounting Position: Any (preferably with the solenoid system upright)

Maximum Process Temperature: 137°C (280°F) due to FKM O-ring

Maximum Ambient Temperature: Coil Dependent (See ratings on coils)

Voltage Tolerance: ±10%

Opening Time (msec): Approximately
AC: 8 to 15

DC: 10 to 20

Closing Time (msec): Approximately
AC: 8 to 15

DC: 10 to 20

Cycling Rate: Approx. 1000 cpm

Duty Cycle: Continuous (100%)

Coil Molding Material

Black Polyester (Class F):

SV8COIL-115AC
SV8COIL-24AC/60HZ
SV8COIL-220AC

Black Polyamide (Class F):

SV8COIL-12DC
SV8COIL-24DC

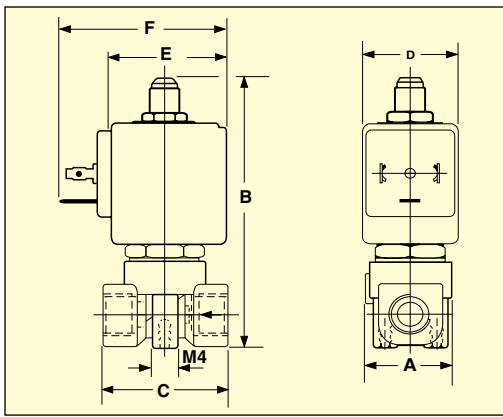
Black Polyphenylsulfide (Class H): SV8COIL-115/60HZ

Materials of Construction

Body	Brass
Armature Tube	Stainless Steel 300
Fixed Core	Stainless Steel 400
Plunger	Stainless Steel 400
Spring	Stainless Steel 300
Shading Ring	Copper
Orifice	Stainless Steel 300

Coil Specifications

Coil	Inrush VA	Holding VA
8 W	25	14.5



Valve Dimensions			
Pipe Size	A	B	C
1/8"	1 1/16"	3 7/16"	1 9/16"
1/4"			

Coil Dimensions			
Coil	D	E	F
8 W	1 3/16"	1 2 1/32"	2 1/8"

To Order							Operating Pressure	
3 Way Universal Normally Opened Model No.	Pipe Size†	Orifice Size	3rd Way Exhaust Orifice	Cv Flow Factor	Coil Power	Minimum psi	M.O.P.D.*	
							AC psi	DC psi
SV4101	1/8"	3/64"	3/32"	0.06	8 W	0	260	260
SV4102	1/8"	1/16"	1/16"	0.1	8 W	0	145	145
SV4103	1/8"	3/32"	3/32"	0.22	8 W	0	60	60
SV4104	1/8"	1/8"	1/8"	0.28	8 W	0	50	50
SV4105	1/4"	3/64"	3/64"	0.06	8 W	0	260	260
SV4106	1/4"	1/16"	1/16"	0.1	8 W	0	145	145
SV4107	1/4"	3/32"	3/32"	0.22	8 W	0	60	60
SV4108	1/4"	1/8"	1/8"	0.28	8 W	0	50	50
Normally Closed Model No.								
SV4301	1/8"	3/64"	3/32"	0.06	8 W	0	290	290
SV4302	1/8"	1/16"	3/32"	0.1	8 W	0	215	215
SV4303	1/8"	5/64"	3/32"	0.14	8 W	0	145	145
SV4304	1/8"	3/32"	3/32"	0.22	8 W	0	85	85
SV4305	1/8"	1/8"	3/32"	0.28	8 W	0	70	70
SV4306	1/4"	3/64"	3/32"	0.06	8 W	0	290	290
SV4307	1/4"	1/16"	3/32"	0.1	8 W	0	215	215
SV4308	1/4"	5/64"	3/32"	0.14	8 W	0	145	145
SV4309	1/4"	3/32"	3/32"	0.22	8 W	0	85	85
SV4310	1/4"	1/8"	3/32"	0.28	8 W	0	70	70

* Maximum Operating Pressure Differential.

† BSP Connection. In most cases BSP and NPT are interchangeable in this size.

Accessories

Model No.	Description
Connectors (NEMA 4)	
SV-CGC	Replacement cable grip connector
SV-CC	1/2" conduit connector
Coils	
SV8COIL-115AC	Replacement 8 W coil for 110 to 120 Vac/50 to 60 Hz 154°C (310°F) (Class F)
SV8COIL-12DC	8 W coil for 12 Vdc 154°C (310°F) (Class F)
SV8COIL-24DC	8 W coil for 24 Vdc 154°C (310°F) (Class F)
SV8COIL-24AC/60HZ	8 W coil for 24 Vac/60Hz 182°C (360°F) (Class H)
SV8COIL-220AC	8 W coil for 220 to 240/50 to 60 Hz 154°C (310°F) (Class F)
SV8COIL-115/60HZ	8 W coil for 115/60 Hz 182°C (360°F) (Class H)

Comes complete with operator's manual and cable grip connector.

Ordering Examples: SV4102, 1/8" 3-way universal normally open valve.

SV4306, 1/4" 3-way normally closed valve.