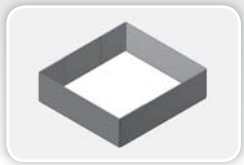


CTF 470V

Compact High-Speed Tray Former



where products meet packaging®

Capable of forming a wide range of sizes and styles of glued and self-locking corrugate trays, the flexible and compact CTF 470V delivers class-leading tray forming performance at speeds up to 70 cycles per minute. With its ergonomically friendly 5' powered magazine (extensions available), a servo-controlled forming section and fast "no-tool" changeover, the reliable and simple to operate CTF 470V is ideal for the most demanding and space conscious production environments. Like all ADCO machines, the CTF 470V is constructed in stainless steel and is available in both, standard and washdown configurations.

Benefits

- Compact footprint saves space and simplifies integration
- Servo-controlled forming section ensures consistent, reliable operation
- Flexible design makes tray size and style changes easier and less costly
- Fast, no-tool changeover improves productivity and reduces downtime
- Stainless steel construction improves cleanability
- Easy to load high capacity magazine reduces operator fatigue and increases run time
- Advanced guard design keeps operators safe and maximizes maintenance access

CTF 470V Compact High-Speed Tray Former

Product Features

- Stainless steel construction
- Servo-controlled forming section
- Ergonomically-designed 5' long horizontal powered hopper (extensions available)
- Mechanical drive system with overload detection
- Adjustable mandrel stroke capable of forming 2" to 8" (50mm to 200mm) deep trays
- Capable of forming glued or self-locking style trays
- Nordson® ProBlue hot melt glue system
- Allen-Bradley® PLC control system with touch screen HMI
- Category 3 safety system with a fully-interlocked barrier guard package
- Many options available upon request

Typical Applications

- Retail Ready/Display Ready Packaging
- Beverage
- Club store packaging
- Consumer products
- Frozen foods
- Meat & Poultry
- Refrigerated/Fresh foods

Utilities

Electrical

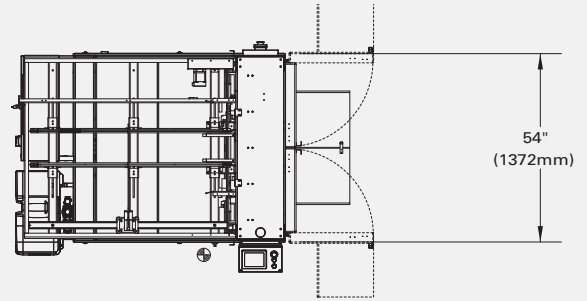
230/460 VAC, 3-Phase with ground (PE), 60 Hz

Air Consumption

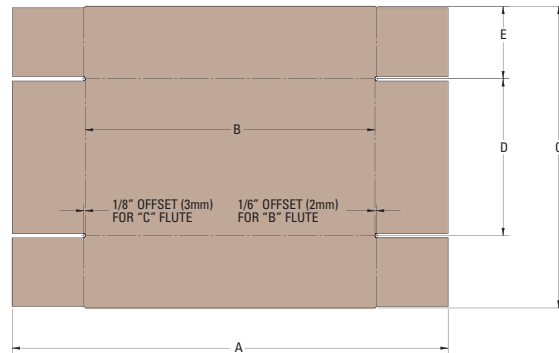
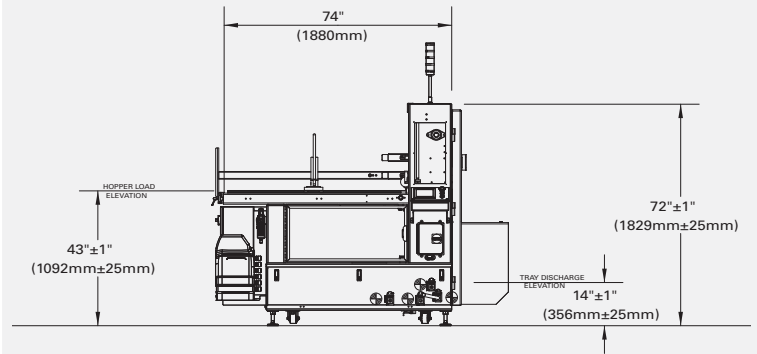
10 CFM @ 95 PSI



PLAN VIEW



SIDE ELEVATION



CARTON SIZE RANGE

Dimensions	(in)		(mm)	
	Min	Max	Min	Max
A	16.25	36	415	915
B	8.25	25.75	210	655
C	15	26	380	660
D	7	18	180	455
E	1.5	8	40	200

Not all minimums and maximums apply.
Special modifications are available to extend the size range.



For more information on this product, scan the QR code with your mobile device.