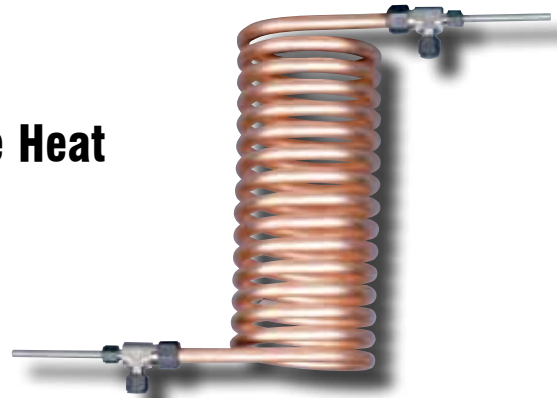




DTC-4 Dual Tube Coil

High Efficiency Tube-in-Tube Heat Exchangers



DTC-4 DUAL TUBE COIL

Features

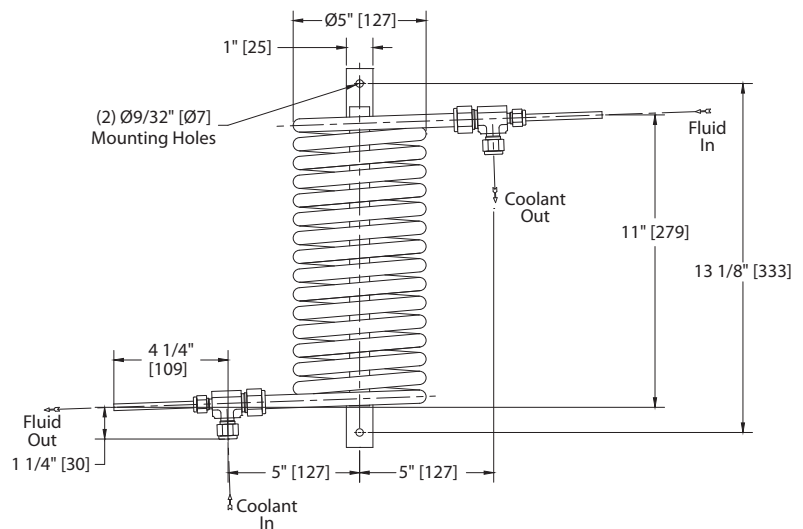
- Fully drainable inner and outer coil
- Spiral wound for maximum counterflow efficiency
- Constant fluid velocity
- No dead spots or crevices
- Excellent for multi-phase/multi-component fluids & slurries
- Highly resistant to thermal and hydraulic shock

Description

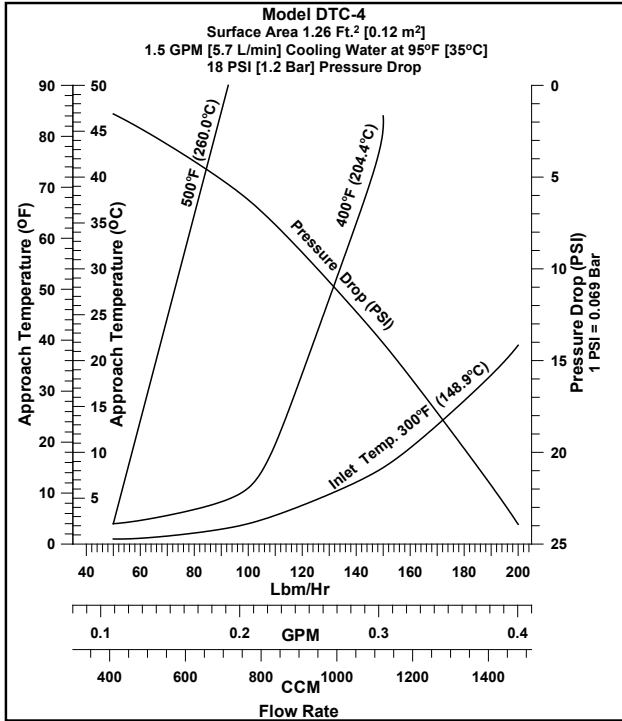
Sentry Dual Tube Coils (DTC) are spirally wound, full counter flow heat exchangers well suited for a variety of applications where low flow rates of high temperature and/or high pressure fluids need cooling or heating. The sturdy tube within a tube concept uses heavy duty terminal fittings to provide for a plain tube end interface for the inner tube and a compression connection for the outer tube. The plain end of the inner tube is easily adapted to a variety of connections including compression, threaded, socket weld, sanitary clamp, etc. The tube within a tube design also provides for high pressure/temperature capabilities on both sides of the heat exchanger, giving greater application flexibility. The single continuous inner tube increases reliability and cleanliness and allows the unit to be completely drainable.

Materials to meet any need

- 300 grade stainless steels
- Copper
- Nickel alloys
- Titanium (inner tube only)
- Zirconium (inner tube only)



TECHNICAL DATA



DTC - 4 - Notes

1. DTC Model Numbers - DTC - XXX/XXX- 4 - y - y



A Inner tube/outer tube material in a three letter format in 4 categories
 CU_ = copper & copper alloys
 SS_ = stainless steel alloys
 IN_ = nickel alloys
 XXX = Other
 Third character denotes specific details, e.g. SSA = SA249 316SS, .042 wall.

B Inner Tube end connection type

C End connection orientation

2. Customer Connections:

- 1/4" O.D. inner tube (plain end)
- 3/8" O.D. coolant (compression)

3. Performance data shows approach temperature (outer tube inlet + approach temp. = inner tube outlet temp) for three inner tube inlet temperatures and various flow rates. Data based on thermal properties of water. Cooling water 95°F (35°C) @1.5 GPM (5.7 L/min). Pressure drop < 18 psi (1.2 bar). Consult factory for other fluids flow, rates and pressure drops.

4. Dimensions for specific materials may vary.

SPECIFICATIONS - 4 Series

Model No.	Inner Tube Design	Outer Design	Inner Tube Material	Outer Tube Material	H.T. Area	Weight	Part Number
DTC-CUA/CUA-4-1-1	2000 psig @300°F 137 bar @148°C	700 psig @300°F 48 bar @148°C	1/4"O.D. Copper	1/2"O.D. Copper	1.26 ft ² 0.12 m ²	12 lbs 5.5 kg	7-02671A
DTC-SSA/CUA-4-1-1	4900 psig @1000°F 337 bar @537°C	700 psig @300°F 48 bar @148°C	1/4"O.D. 316SS	1/2"O.D. Copper	1.26 ft ² 0.12 m ²	12 lbs 5.5 kg	7-02671B
DTC-IN1/CUA-4-1-1	5450 psig @1100°F 375 bar @593°C	700 psig @300°F 48 bar @148°C	1/4"O.D. Inconel	1/2"O.D. Copper	1.26 ft ² 0.12 m ²	12 lbs 5.5 kg	7-02671C
DTC-SSA/SSB-4-1-1	4900 psig @1000°F 337 bar @537°C	2300 psig @1000°F 158 bar @537°C	1/4"O.D. 316SS	1/2"O.D. 316SS	1.26 ft ² 0.12 m ²	12 lbs 5.5 kg	7-02671D
DTC-IN1/SSB-4-1-1	5450 psig @1100°F 375 bar @593°C	2300 psig @1000°F 158 bar @537°C	1/4"O.D. Inconel	1/2"O.D. 316SS	1.26 ft ² 0.12 m ²	12 lbs 5.5 kg	7-02671E

WARNING

It is solely the responsibility of the end-user, through its own analysis and testing, to select products and materials suitable for their specific application requirements, ensure they are properly installed, safely applied, properly maintained, and limit their use to their intended purpose. Improper selection, installation, or use may result in personal injury or property damage.



SENTRY EQUIPMENT CORP

966 Blue Ribbon Circle North
 Oconomowoc, WI 53066 USA
 Tel: 262-567-7256 • Fax: 262-567-4523

E-mail:
 sales@sentry-equip.com

Website:
 www.sentry-equip.com

QUALITY MANAGEMENT SYSTEM
 CERTIFIED BY DNV
ISO 9001:2008

For further information, contact: