

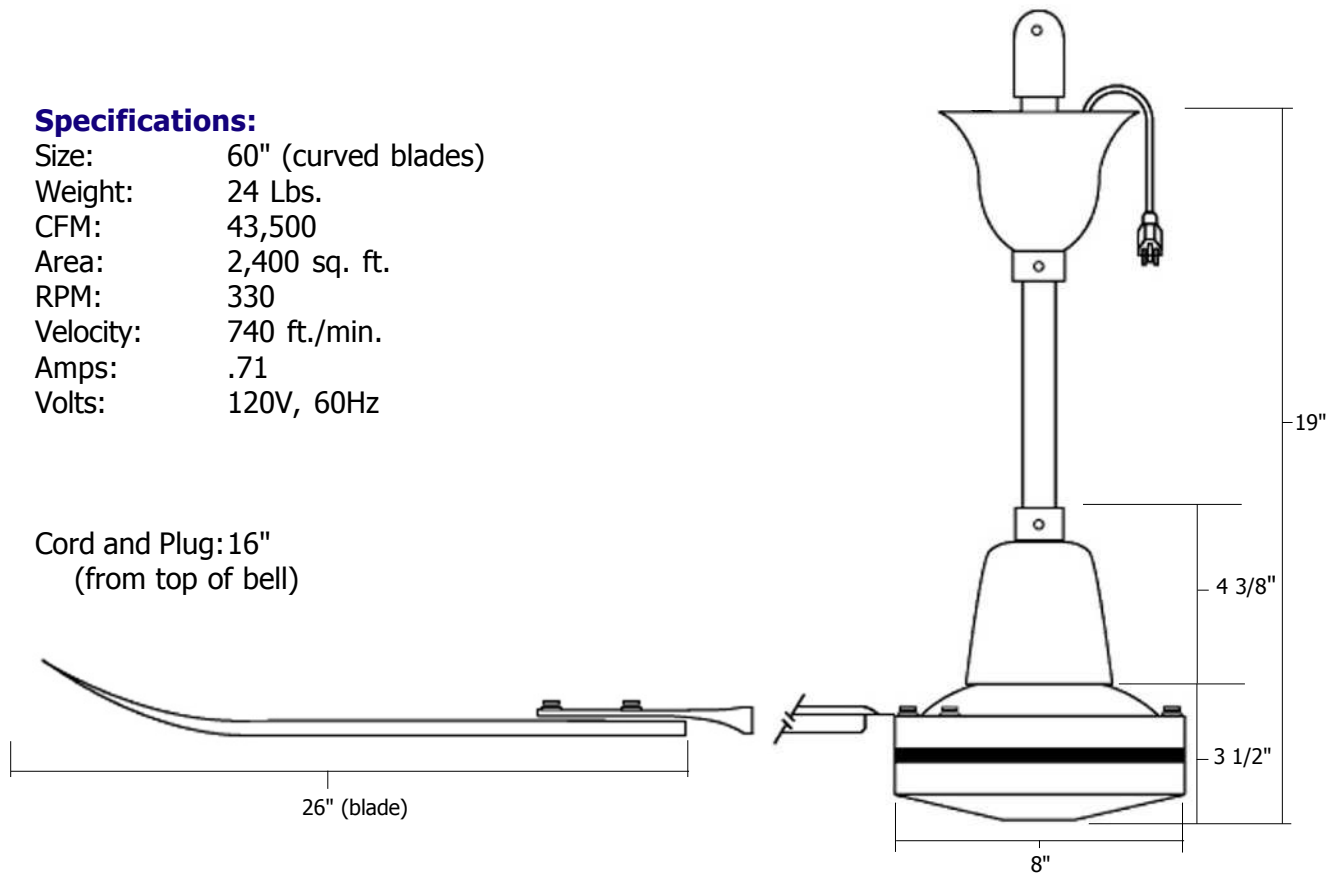
# ENVIROFAN

Platinum Line 190A-7

## Specifications:

Size: 60" (curved blades)  
Weight: 24 Lbs.  
CFM: 43,500  
Area: 2,400 sq. ft.  
RPM: 330  
Velocity: 740 ft./min.  
Amps: .71  
Volts: 120V, 60Hz

Cord and Plug: 16"  
(from top of bell)



## Features:

Thermo Protected Motor  
Cast Iron Motor Housing  
Aluminum Blades  
UL Listed  
UL Waterspray Tested & Approved  
5 year warranty (3 year warranty for agricultural applications)  
10" Downrod (3/4" i.d.)



## Note:

To reduce risk of injury to persons, install fan so that blades are at least 10 feet above floor  
Technical specifications subject to change without notice

## Northwest Envirofan

A Division of Northwest Environmental Systems, Inc.

*Envirofan Ceiling Fans • Protecto-Guard Ceiling Fan Guards • Fan Controls*

800-236-7080

(920) 235-7808

FAX (920) 235-3049