

PA 440

Field Display for current loop with Contacts



Functional range

- ▶ free scalable display
- ▶ switch mode, hysteresis, parameterizable deceleration of the contacts
- ▶ no external power supply necessary

Product characteristics

- ▶ field display for pressure transmitter with output signal: 4 ... 20 mA / 2-wire or 0 ... 10 V / 3-wire
- ▶ 4-digit LCD display
- ▶ plastic housing
- ▶ pressure compensation element with PTFE-Filter

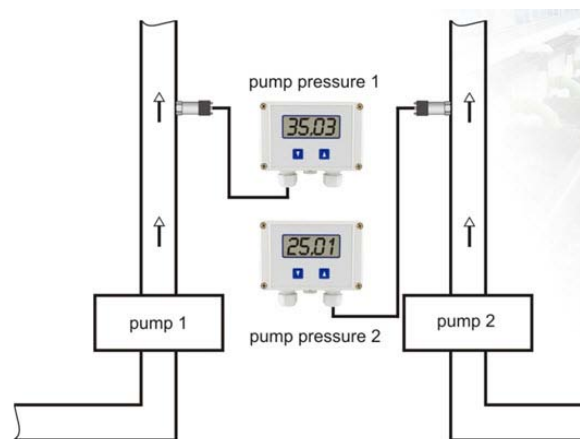
Optional versions

- ▶ IS-version
- ▶ 2 contacts
- ▶ 4-digit LED display

Typical application



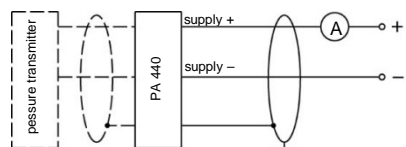
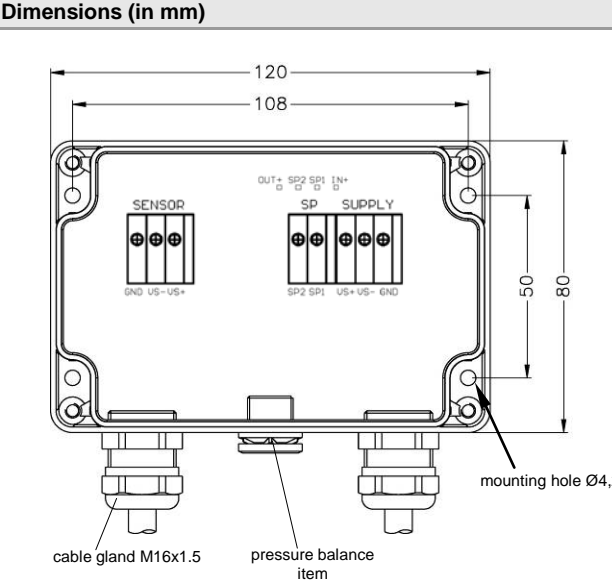
in situ display at pumping stations



PA 440

Field Display

Technical Data

Analogue signal	
Standard	2-wire: 4 ... 20 mA
Option IS-version	2-wire: 4 ... 20 mA
Option 3-wire	0 ... 10 V (in preparation)
Accuracy	$\leq \pm 0.1\%$ FSO ± 1 digit
Supply	
2-wire system	supplied by current loop; voltage drop ≤ 6.5 V IS version: max. 28 V _{DC} (for combination with transmitter and PA 440)
3-wire system	display is supplied parallel with transmitter; V _S = 8 V _{DC} ... 36 V _{DC}
Contact	
Number, type	2 independent PNP open collector contacts
Switching performance	contact rating max. 125 mA, short-circuit resistant
Switching frequency	max. 8/sec
Delay time	0 ... 100 sec
Miscellaneous	
Electrical protection	reverse polarity protection (no damage, but also no function); electromagnetic compatibility (emission and immunity according to EN 61326); short-circuit protection
Ingress protection	IP 65
Display	4-digit, 7-segment LC display, range of indication -1999 ... 9999; accuracy 0.2 % ± 1 digit; standard: LC display, digit height 18 mm option: LED display, digit height 10 mm, red
Permissible temperatures	electronics / environment / storage: -20 ... 70 °C
Material display housing	plastic ABS, grey
Cable entries	cable gland M16x1.5 Polyamide, seals NBR, diameter range: standard 5 ... 10 mm
Atmospheric pressure compensation	pressure compensation element with PTFE filter
Terminal clamps	vertical clamps for stranded and solid wires up to 2.5 mm ²
Dimensions (height x width x depth)	80 mm x 120 mm x 57 mm
Weight	approx. 220 g
IS protection (optionally)	
Approval AX15-PA 440	IBExU08ATEX1126 X zone 1: II 2G Ex ia IIB T4 Gb
Safety technical maximum values	U _i = 28 V _{DC} , I _i = 93 mA, P _i = 660 mW, C _i = 0 nF, L _i = 0 μH
Ambient temperature range	from -20 °C to +70 °C
Wiring diagram	
	
Dimensions (in mm)	
	

© 2016 BDSENSORS GmbH – The specifications given in this document represent the state of engineering at the time of publishing. We reserve the right to make modifications to the specifications and materials.

Tel: +49 (0) 92 35 / 98 11- 0
Fax: +49 (0) 92 35 / 98 11- 11

www.bdsensors.com
info@bdsensors.de

BD|SENSORS
pressure measurement

PA440_E_200416

Ordering code PA 440

PA 440

□□□□-□-□-□-□-□-□-□□□□

Standard version		8	5	1																
Analogue output																				
	4 ... 20 mA / 2-wire				1															
	Intrinsic safety for zone 1 / 4 ... 20 mA / 2-wire				E															
	customer				9															consult
Contact																				
	without contact				0															
	2 contacts ¹				2															
Unit																				
	without ²				0															
	bar				1															
	mbar				2															
	mH ₂ O				3															
	%				P															
	mA				A															
	customer				9															consult
Label on display																				
	standard				1															
	neutral				N															
	customer				9															consult
Display																				
	LC display																			
	LED display																			
Housing material																				
	plastic ABS																			
Special version																				
	standard																			
	overvoltage protection ³																			
	customer																			consult

¹ only possible in combination with LED display

² the unit signs are loose-settled

³ not possible for Ex-version

