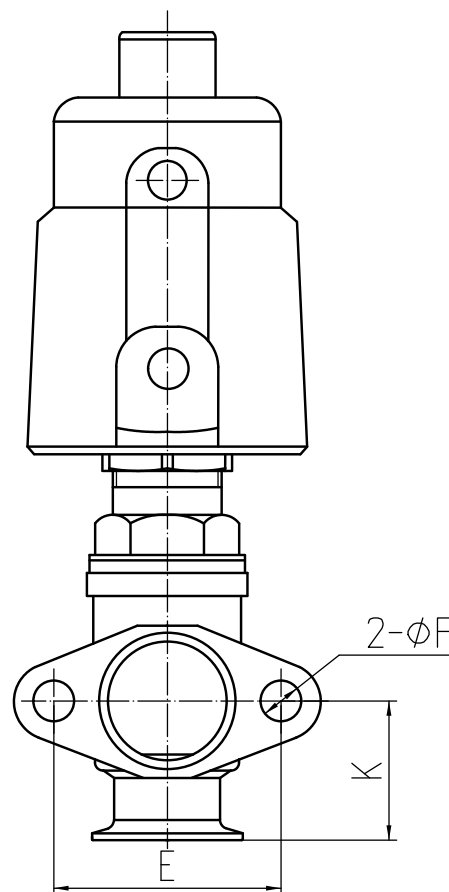
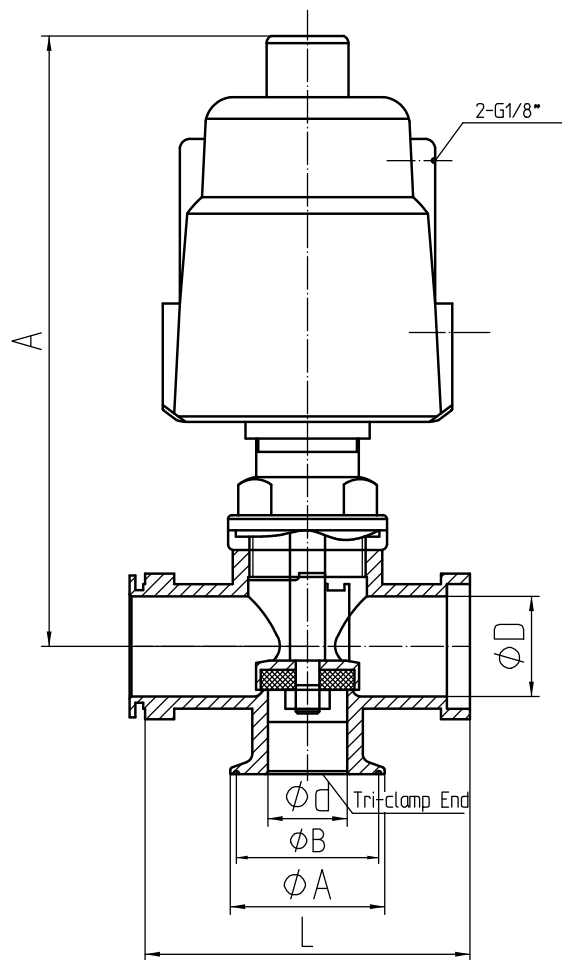


TEX-1W

Technical parameters	
Medium temperature	-20°C~+180°C
Ambient temperature	-20°C~+60°C
Nominal pressure	1.6MPa
Control gas	gas or air
Air pressure	0.3MPa~0.8MPa
Seal materia In cylinder	NBR/FKM



Size	A	K	L	D	d	A	B	φE	2-φF
15	153	30	76	25	15	34	27.5	50	8.5
25	153	46	90	32	27	50.5	43.5	57	8.5

ZHEJIANG MINTN VALVE CO., LTD.

Describe	Pneumatic Manifold Valve
Model	MT-K3L
Web	www.mintn.com
Contact	+86-577-55558668