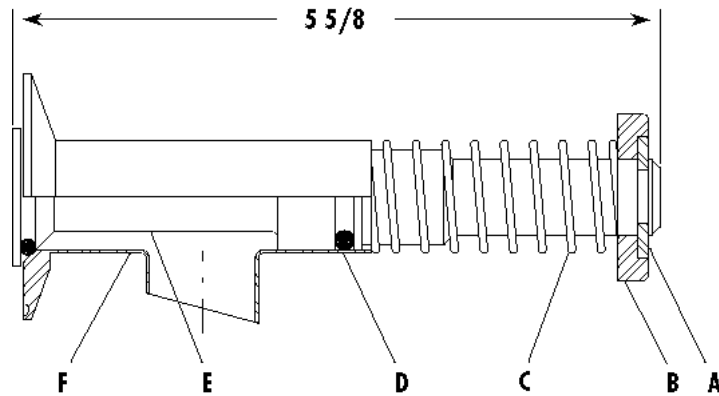
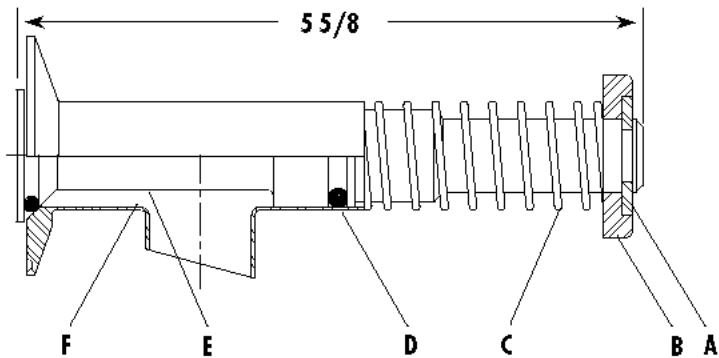


# SANITARY SAMPLE VALVES



## TS/30SA 1 1/2" x 1" SAMPLE COCK (6900-4B)

DETAIL NO.	PART NO.	DESCRIPTION
A	6881-47	"C" clip
B	6880-47	Handle
C	6882-28	Spring
D	3132-80	"O" ring (2)
E	6888-47	Stem
F	6843-47	Body



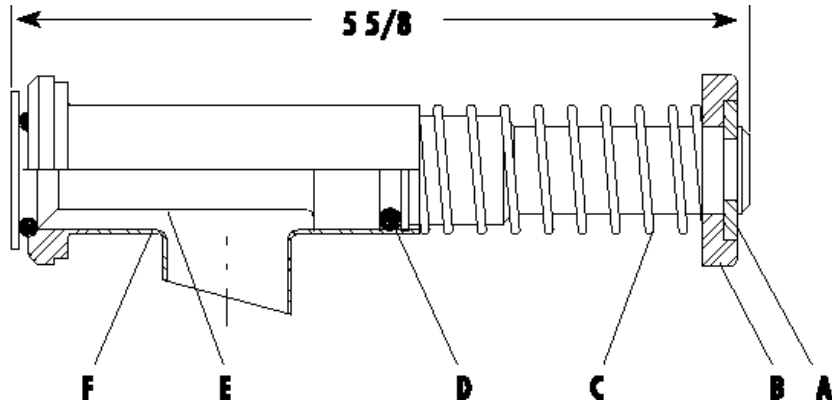
## TS/30SA 2" x 1" SAMPLE COCK (6901-4B)

DETAIL NO.	PART NO.	DESCRIPTION
A	6881-47	"C" clip
B	6880-47	Handle
C	6882-28	Spring
D	3132-80	"O" ring (2)
E	6888-47	Stem
F	6843-47	Body

PRICES EFFECTIVE JULY 4, 1996  
 PRICES SUBJECT TO CHANGE WITHOUT NOTIFICATION.

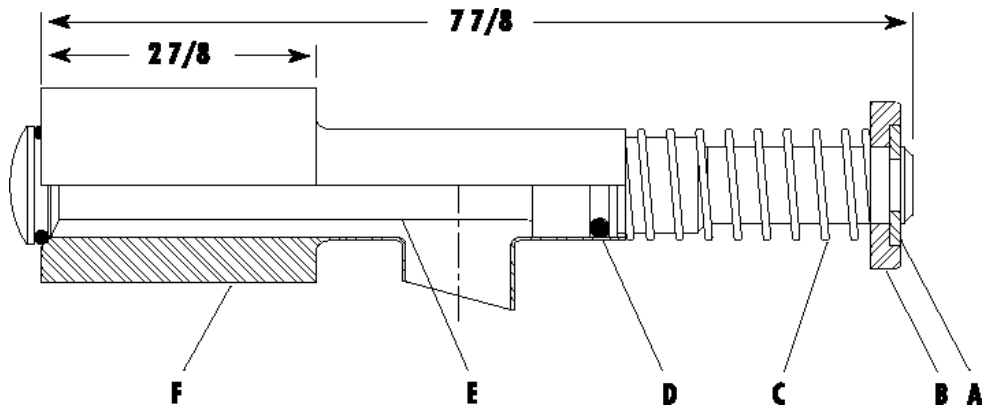


# SANITARY SAMPLE VALVES



## 30SA 1 1/2" x 1" SAMPLE COCK (6905-4B)

DETAIL NO.	PART NO.	DESCRIPTION
A	6881-47	"C" clip
B	6880-47	Handle
C	6882-28	Spring
D	3132-80	"O" ring (2)
E	6888-47	Stem
F	6843-47	Body



## SPUD TYPE SAMPLE COCK (6918-4B)

DETAIL NO.	PART NO.	DESCRIPTION
A	6881-47	"C" clip
B	6880-47	Handle
C	6882-28	Spring
D	3132-80	"O" ring (2)
E	6892-47	Stem
F	6856-47	Body

PRICES EFFECTIVE JULY 4, 1996  
 PRICES SUBJECT TO CHANGE WITHOUT NOTIFICATION.

