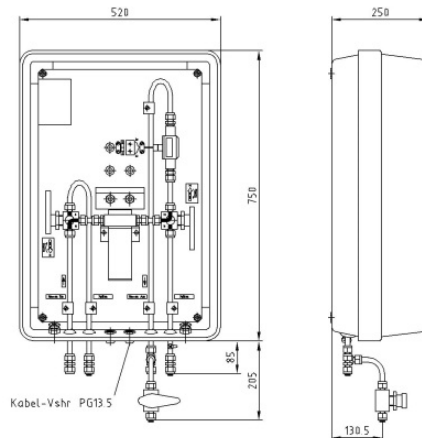
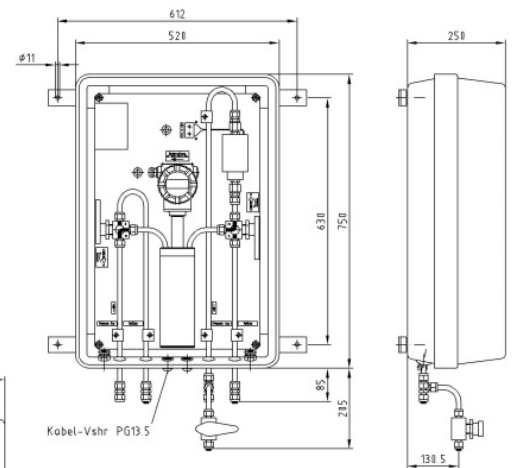


# Complete solution from one source

Precise density measurement ensures product quality and costs

## Density measuring device DIME

- highest accuracy up to  $\pm 0.1 \text{ kg/m}^3$  (\*)
- also available as calibratable version
- available as Exi or Exd version
- easy to install
- Made in Germany



(\*)  $\pm 0,01\%$  based on water

- materials such as Tantal, Hastelloy on request
- Bypass can be operated by orifice or integrated pump
- manifold accessories (heating, flow switch, flush ports)

